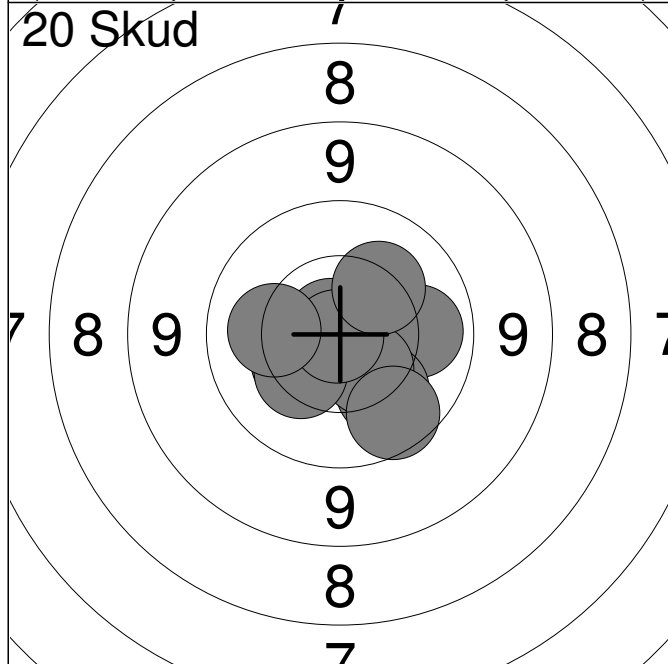
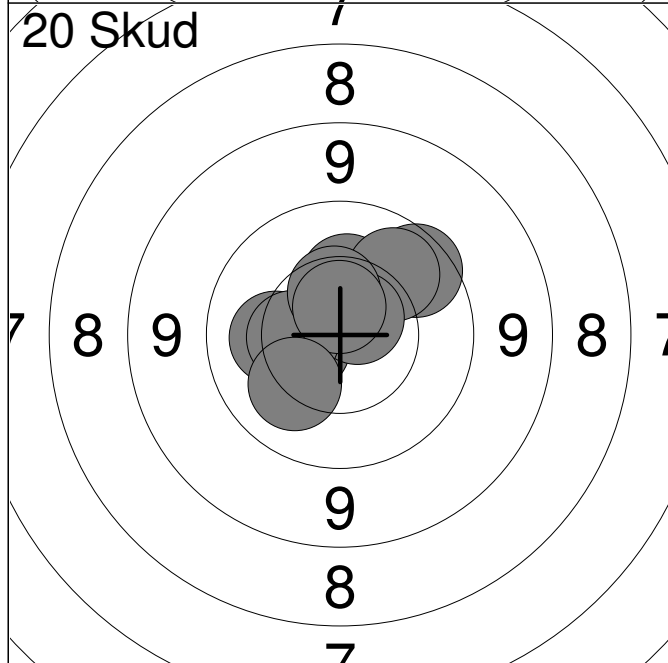


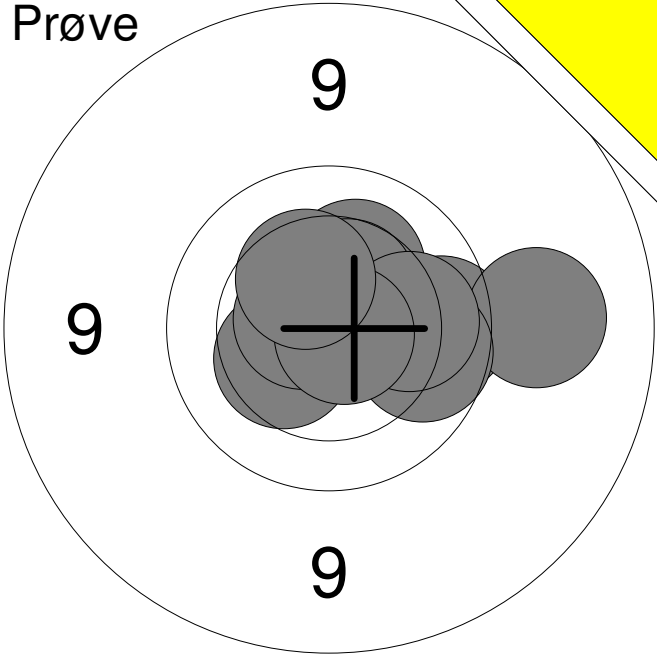
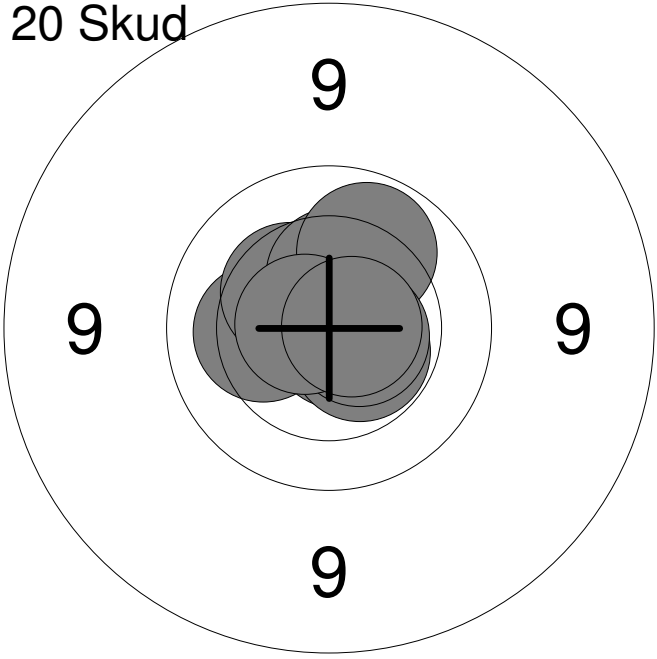
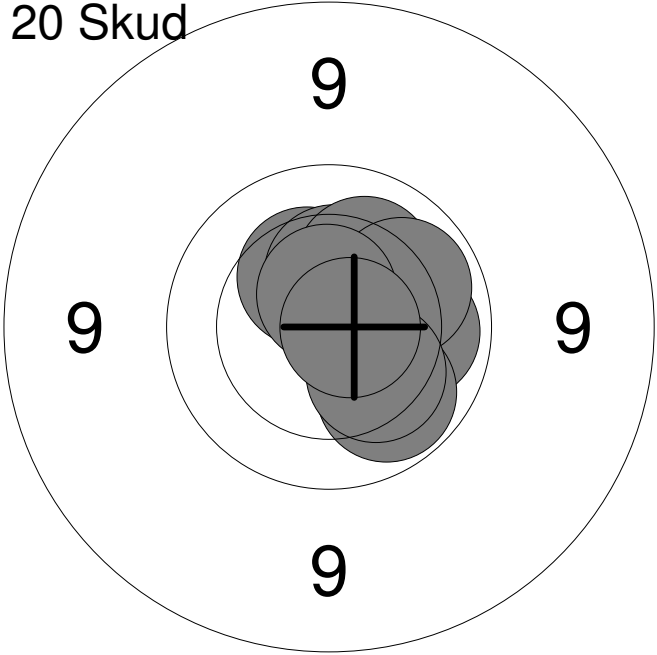
1:	9.8	↙
2:	10.6x	↙
3:	10.6x	↑
4:	10.6x	↘
5:	10.9x	←
<b>Serie</b>		<b>49.0</b>
<b>Total</b>		<b>0.0</b>

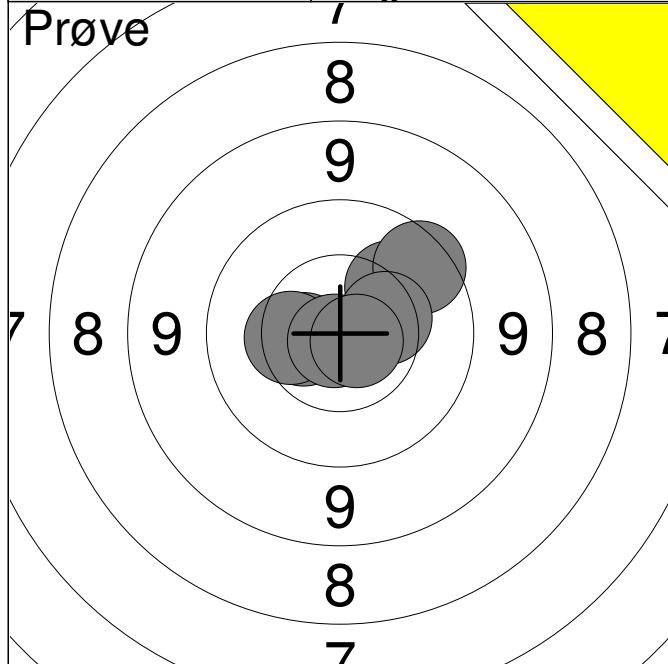


1:	10.1	→
2:	10.1	↙
3:	10.4	↙
4:	10.4	←
5:	9.8	↙
6:	10.3	↙
7:	10.8x	↗
8:	10.9x	↙
9:	10.2	←
10:	10.3	↗
<b>Serie</b>		<b>99.0</b>
<b>Total</b>		<b>99.0</b>

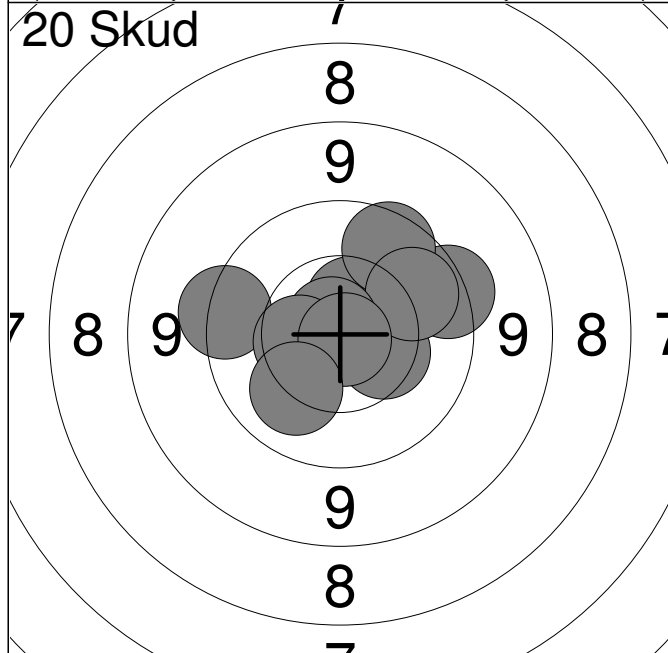


11:	10.2	←
12:	10.5	←
13:	9.8	↗
14:	10.3	↑
15:	10.0	↗
16:	10.7x	↗
17:	10.4	←
18:	10.5	↑
19:	10.6x	↑
20:	10.2	↙
<b>Serie</b>		<b>99.0</b>
<b>Total</b>		<b>198.0</b>

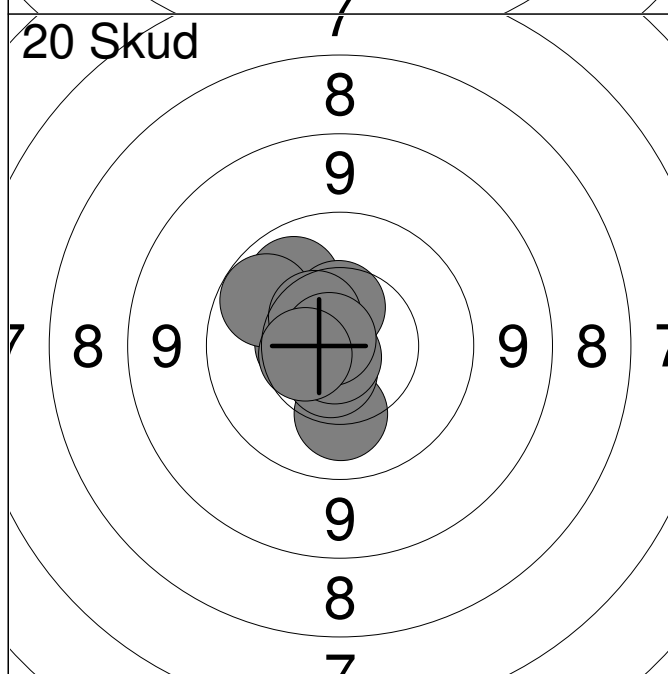
Hold	Skive	Freja Møller Pedersen	
1	4		
AAS		Aalborg Skyttekreds	J1
		Nordjysk Mesterskab 2016	Aalborg Skyttekreds
Prøve		1: 9.8 →	
		2: 9.2 →	
		3: 9.9 →	
		4: 10.4 ↙	
		5: 10.3 ↗	
		6: 10.5 ↗	
		7: 10.1 →	
		8: 10.7x ↖	
		9: 10.8x ↘	
		10: 10.4 ↗	
		Serie	97.0
		Total	0.0
20 Skud		1: 10.7x →	
		2: 10.8x ↘	
		3: 10.5x ↘	
		4: 10.2 ←	
		5: 10.4 ↗	
		6: 10.4 ↗	
		7: 10.0 ↗	
		8: 10.6x →	
		9: 10.7x ↖	
		10: 10.7x →	
		Serie	100.0
		Total	100.0
20 Skud		11: 10.4 ↗	
		12: 10.4 ↑	
		13: 10.1 →	
		14: 10.2 ↗	
		15: 10.5x ↗	
		16: 10.1 ↗	
		17: 10.6x ↑	
		18: 10.0 ↘	
		19: 10.2 ↘	
		20: 10.7x →	
		Serie	100.0
		Total	200.0



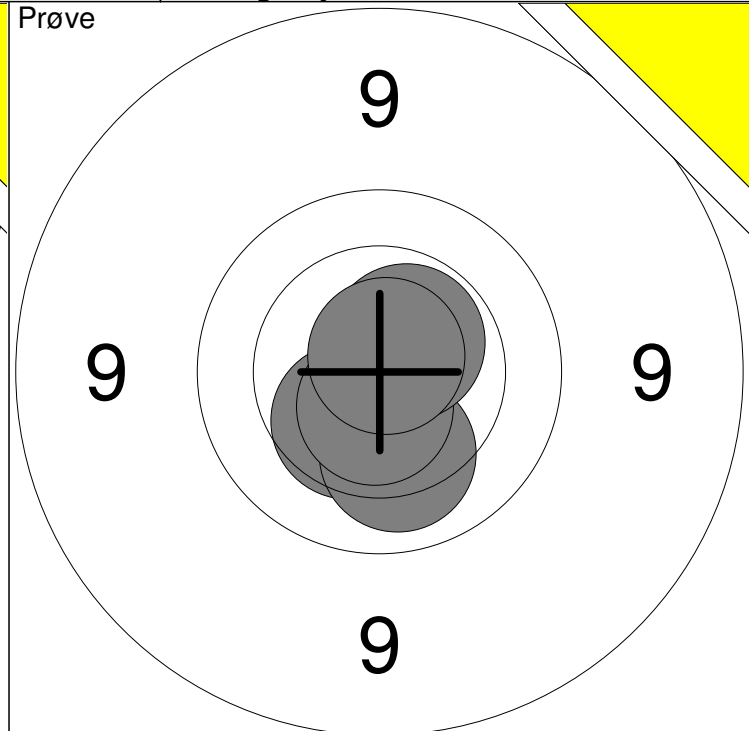
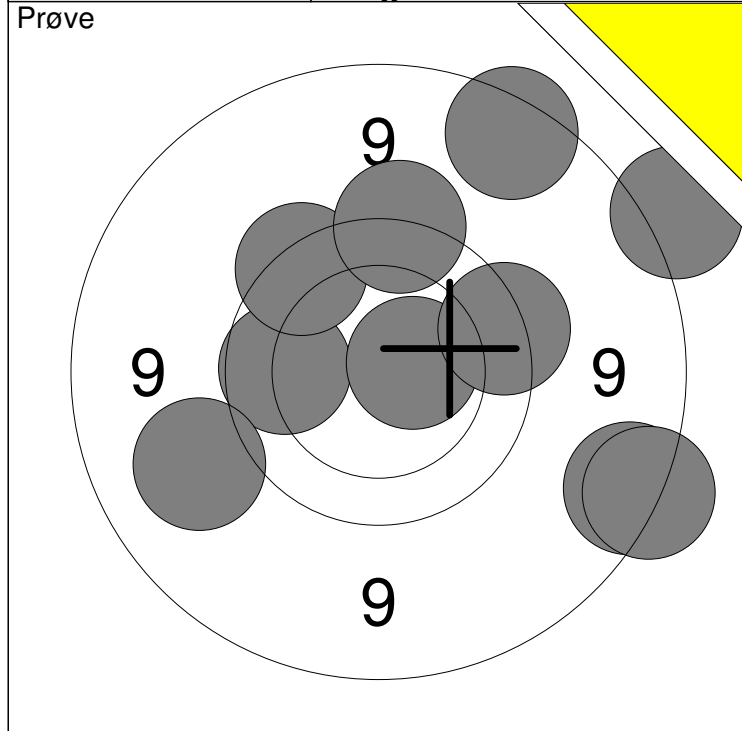
1:	10.5	←
2:	10.4	←
3:	10.2	↗
4:	9.7	↗
5:	10.4	→
6:	10.8x	↙
7:	10.7x	↘
<b>Serie</b>		<b>69.0</b>
<b>Total</b>		<b>0.0</b>



1:	9.6	→
2:	10.6	↑
3:	9.6	←
4:	10.4	↘
5:	9.8	↑
6:	10.0	↗
7:	10.8x	↗
8:	10.5	←
9:	10.9x	↘
10:	10.1	↙
<b>Serie</b>		<b>97.0</b>
<b>Total</b>		<b>97.0</b>

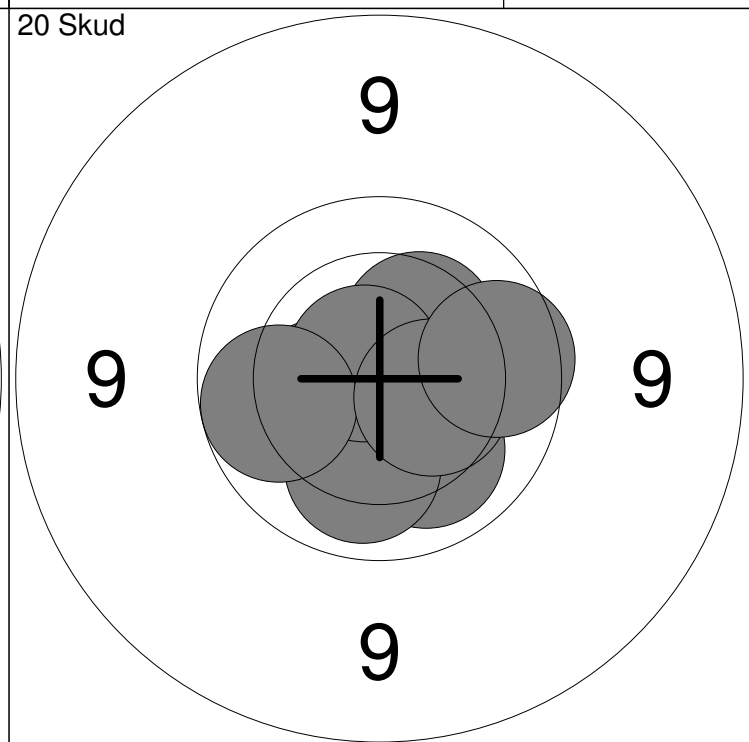
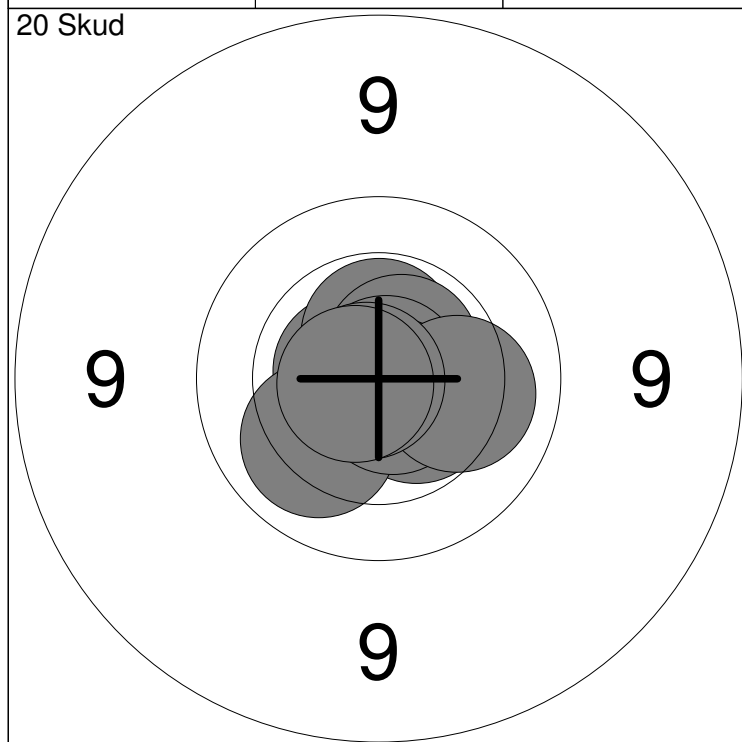


11:	10.2	↓
12:	10.5	←
13:	10.6x	↘
14:	10.8x	↘
15:	10.0	↗
16:	10.0	↗
17:	10.5	↑
18:	10.5	↗
19:	10.8x	↗
20:	10.5	←
<b>Serie</b>		<b>100.0</b>
<b>Total</b>		<b>197.0</b>



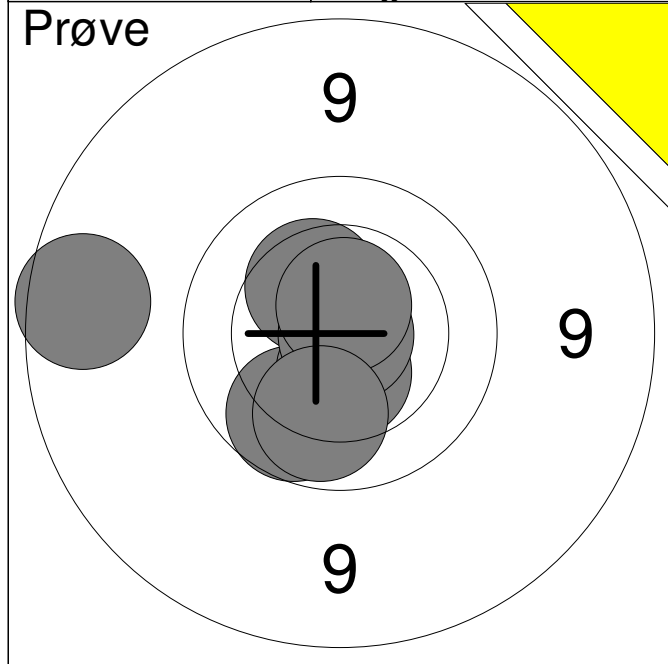
1: 9.9 ←	6: 8.5 ↗	Serie	87
2: 9.2 ↙	7: 9.6 ↑		
3: 8.8 →	8: 8.7 →	Total	0
4: 9.7 ↗	9: 9.7 →		
5: 10.5x →	10: 8.8 ↗		

11: 10.4 ↙	Serie	50
12: 10.1 ↓		
13: 10.6x ↓	Total	0
14: 10.6x ↗		
15: 10.8x ↗		

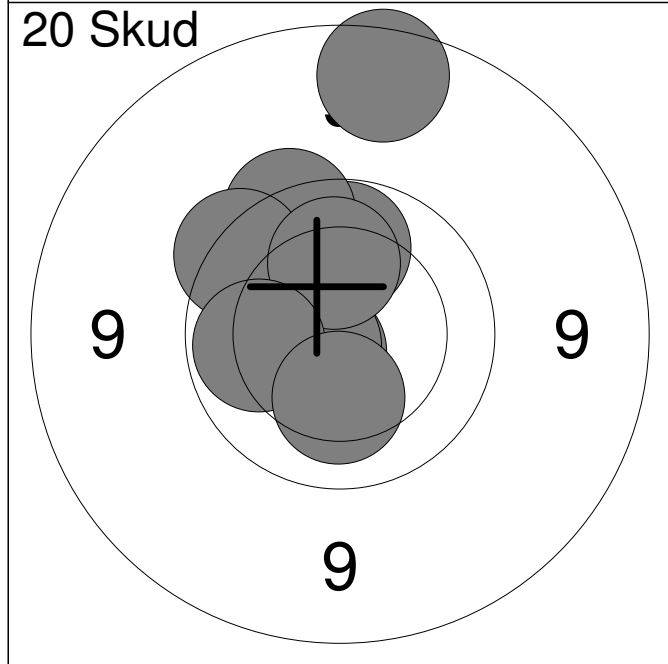


1: 10.7x ↙	6: 10.9x ↗	Serie	100
2: 10.5x ↑	7: 10.7x ↘		
3: 10.6x ↗	8: 10.2 →	Total	100
4: 10.5x ↘	9: 10.8x ←		
5: 10.1 ↙	10: 10.7x ←		

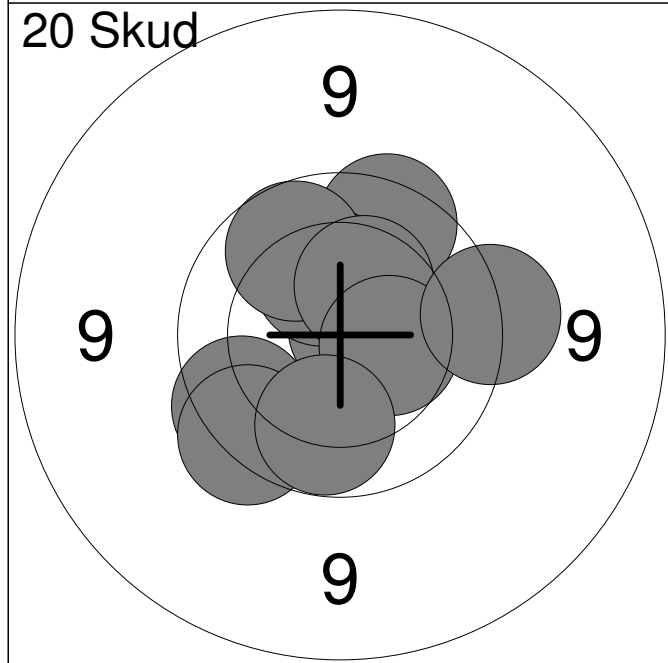
11: 10.1 ↓	16: 10.3 ↗	Serie	99
12: 10.8x ←	17: 10.7x ↖		
13: 10.4 ←	18: 10.0 ←	Total	199
14: 10.5x →	19: 10.4 →		
15: 10.1 ↓	20: 9.9 →		



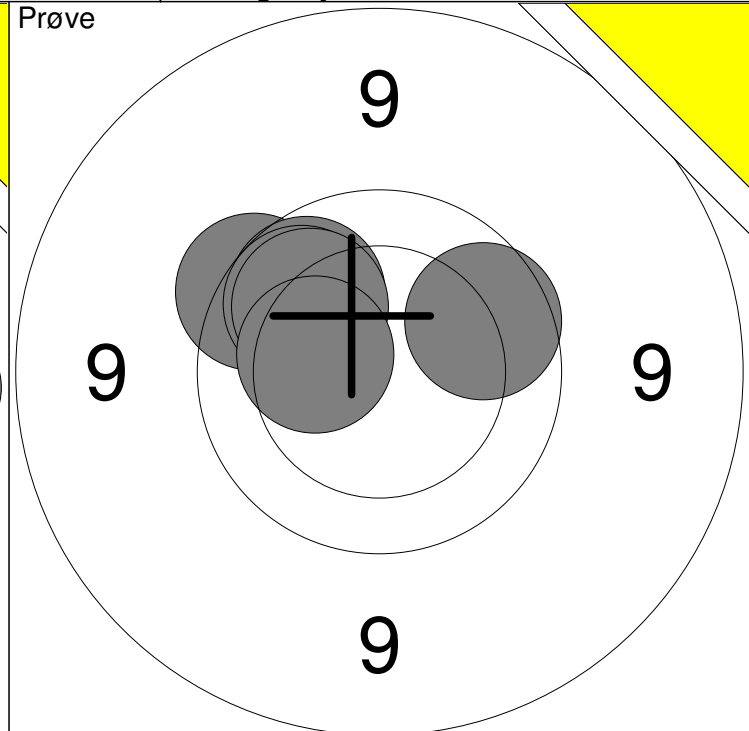
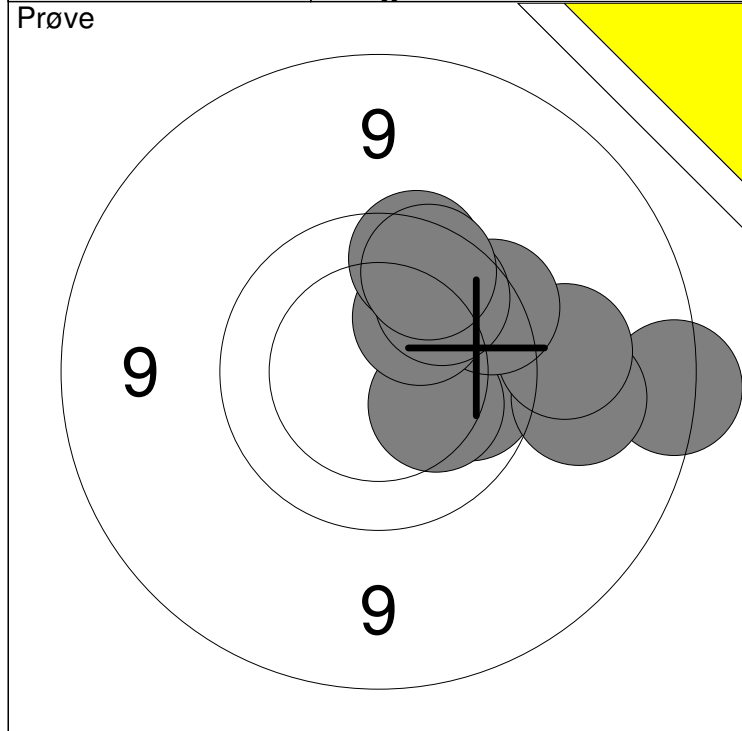
1:	8.9	←
2:	9.9	↙
3:	10.5x	↘
4:	10.3	↗
5:	10.9x	→
6:	10.6x	↑
7:	10.0	↘
<b>Serie</b>		<b>67.0</b>
<b>Total</b>		<b>0.0</b>



1:	9.9	↖
2:	10.0	↑
3:	10.6x	↙
4:	8.9	↑
5:	10.6x	←
6:	9.7	↗
7:	9.7	↗
8:	10.1	↑
9:	10.0	←
10:	10.2	↓
<b>Serie</b>		<b>95.0</b>
<b>Total</b>		<b>95.0</b>

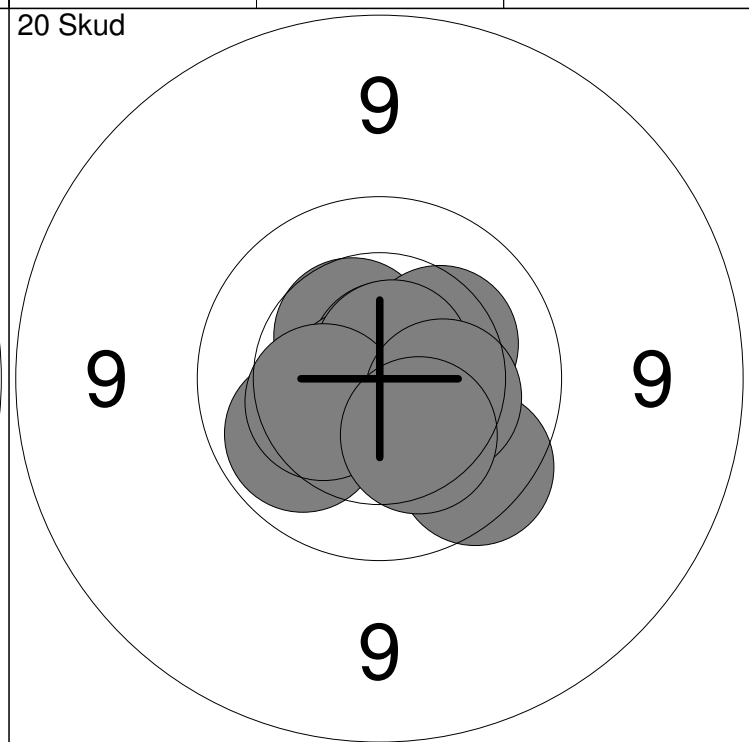
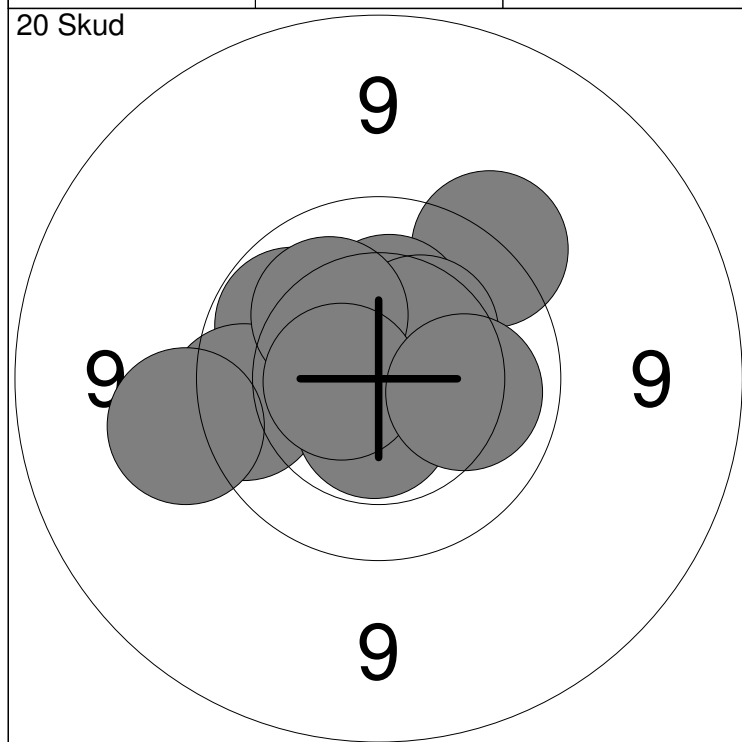


11:	10.7x	↗
12:	9.8	↙
13:	9.8	↑
14:	10.3	↑
15:	9.9	↗
16:	10.4	↗
17:	9.7	↙
18:	10.4	→
19:	10.0	↓
20:	9.6	→
<b>Serie</b>		<b>95.0</b>
<b>Total</b>		<b>190.0</b>



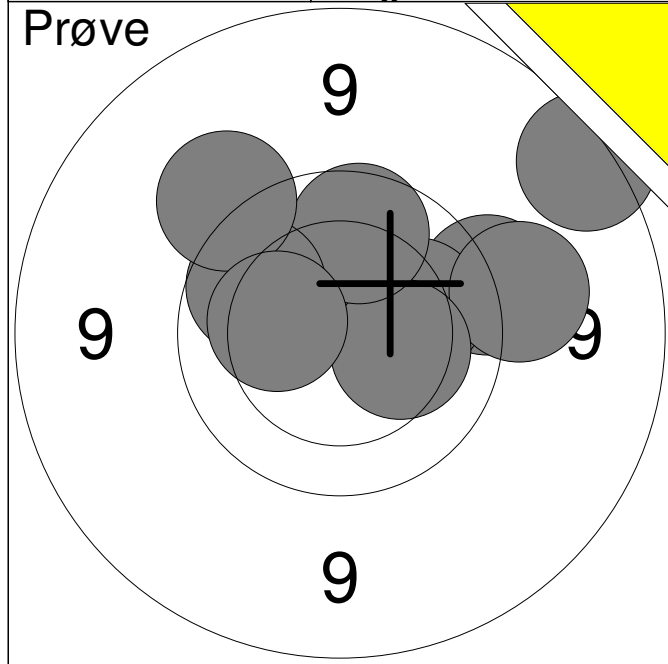
1: 8.8 →	6: 9.7 ↗	Serie	91
2: 9.9 →	7: 10.2 ↗		
3: 9.2 →	8: 9.8 ↑	Total	0
4: 10.2 ↘	9: 9.9 ↗		
5: 9.3 →	10: 9.8 ↑		

11: 9.9 ↗	16: 10.3 ←	Serie	57
12: 9.7 ↗			
13: 9.9 ↗		Total	0
14: 10.0 ↗			
15: 10.0 ↗			



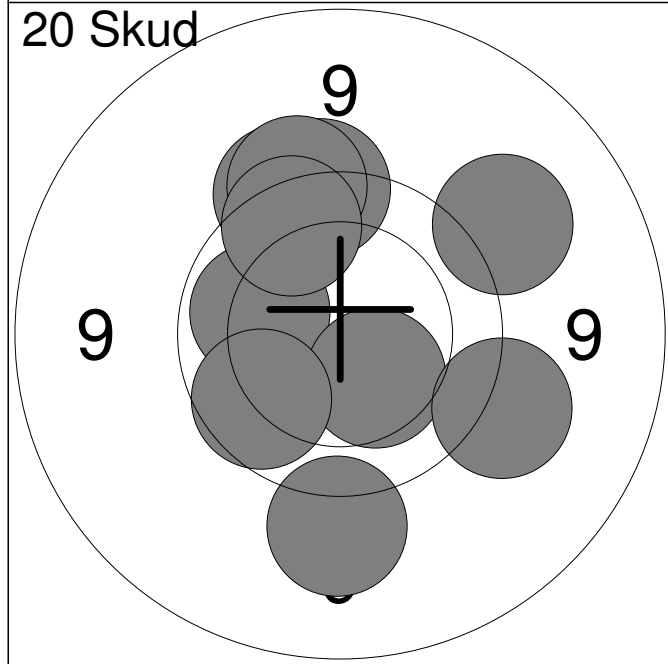
1: 10.0 ↖	6: 10.6x ↓	Serie	97
2: 9.6 ↗	7: 9.4 ←		
3: 10.3 ↑	8: 10.2 ↗	Total	97
4: 10.4 ↗	9: 10.6x ←		
5: 9.8 ←	10: 10.1 →		

11: 10.5 ↗	16: 9.8 ↘	Serie	99
12: 10.3 ↗	17: 10.7x ↗		
13: 10.8x ↗	18: 10.4 ←	Total	196
14: 10.0 ←	19: 10.3 →		
15: 10.8x ←	20: 10.3 ↘		



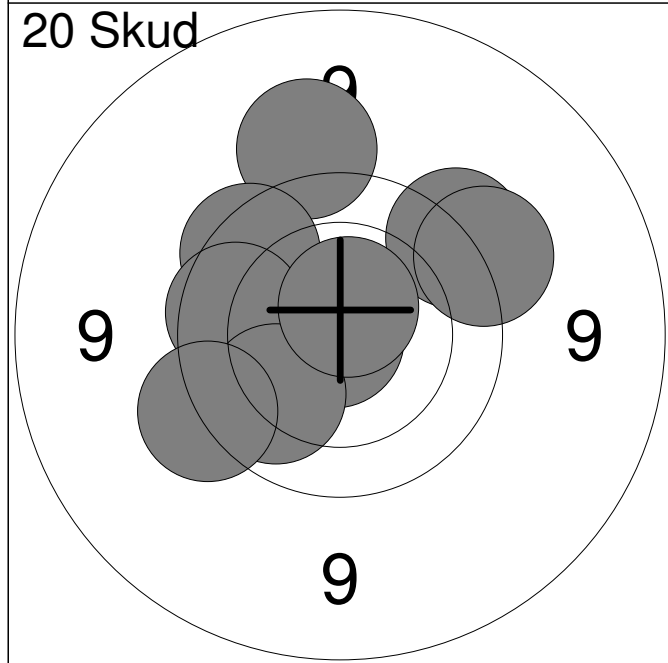
1:	8.8	↗
2:	9.6	→
3:	10.1	→
4:	9.4	→
5:	10.3	→
6:	9.9	↑
7:	9.9	↗
8:	9.4	↗
9:	10.3	↖

Serie	83.0
Total	0.0



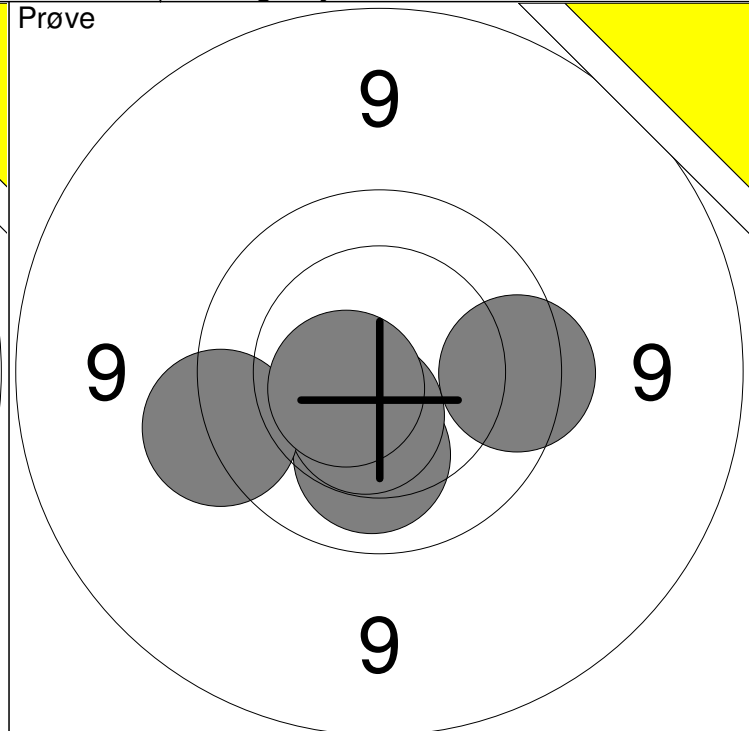
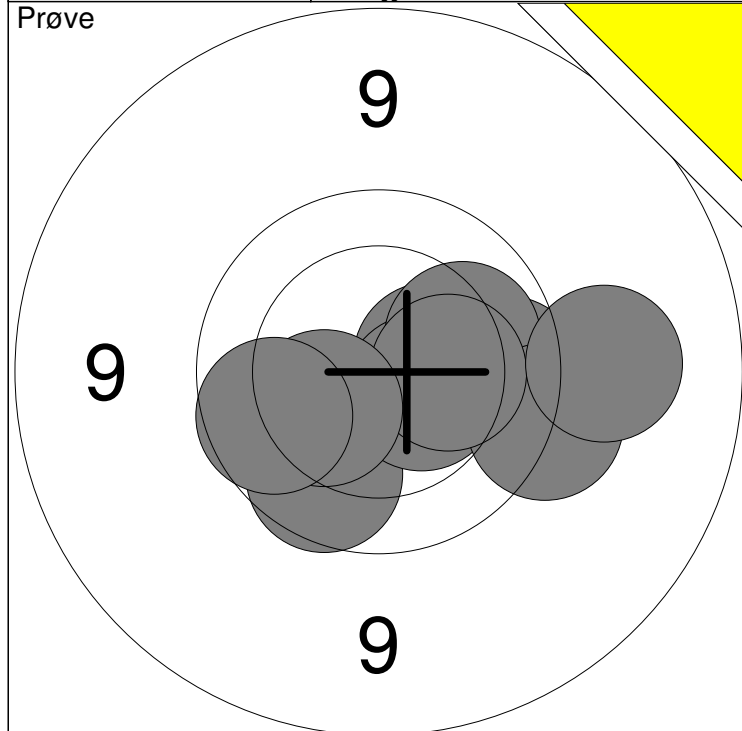
1:	9.6	↑
2:	9.3	↗
3:	10.1	↖
4:	10.3	↘
5:	9.6	↗
6:	9.4	↘
7:	9.6	↗
8:	9.9	↖
9:	9.3	↓
10:	9.8	↗

Serie	92.0
Total	92.0



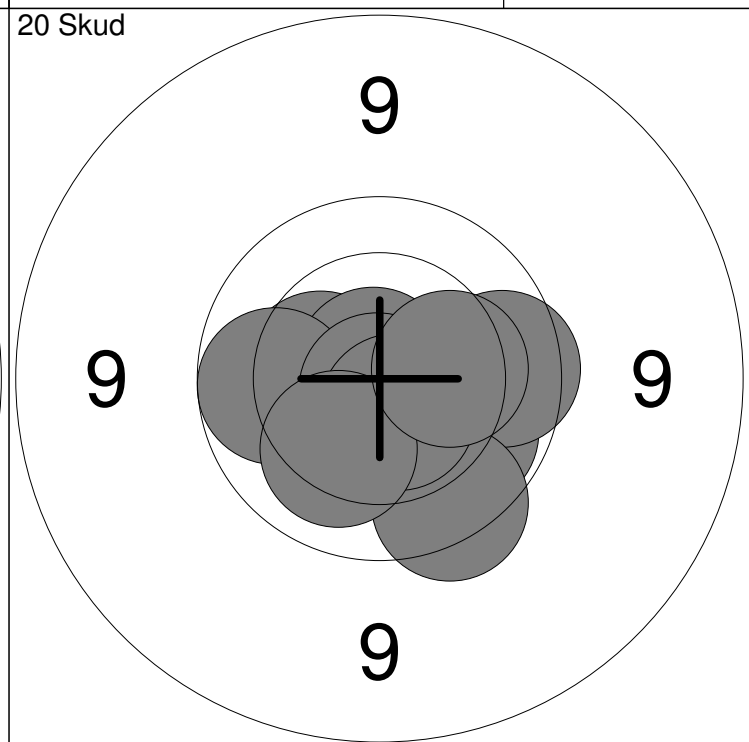
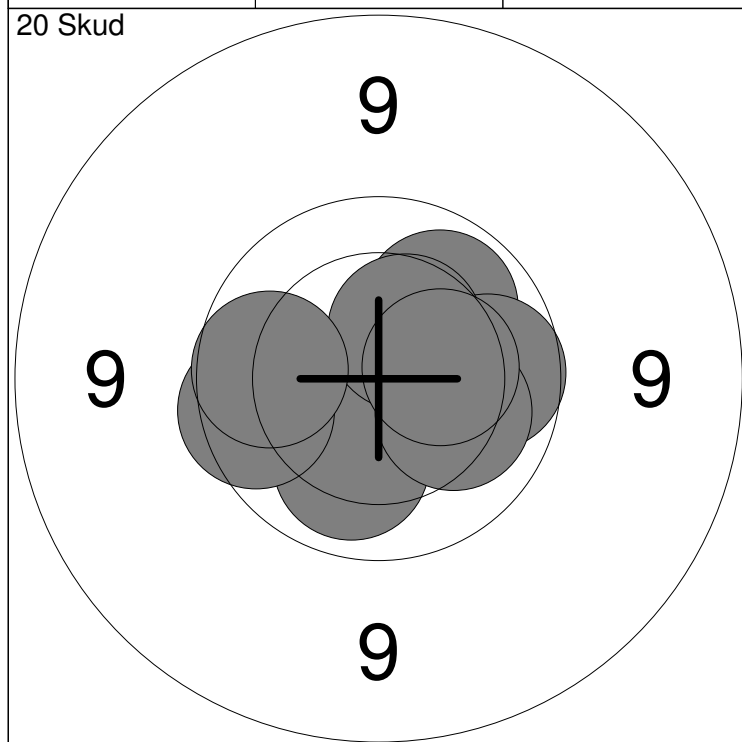
11:	10.3	↖
12:	9.4	↑
13:	9.8	↗
14:	9.6	↗
15:	10.9x	↖
16:	9.9	↖
17:	10.0	↖
18:	9.5	↗
19:	9.6	↖
20:	10.6x	↑

Serie	94.0
Total	186.0



1: 10.4 →	6: 9.6 →	Serie	95
2: 9.8 →	7: 10.3 →		
3: 9.9 ↘	8: 9.3 →	Total	0
4: 10.5 ↘	9: 10.3 ↙		
5: 10.1 →	10: 9.9 ↙		

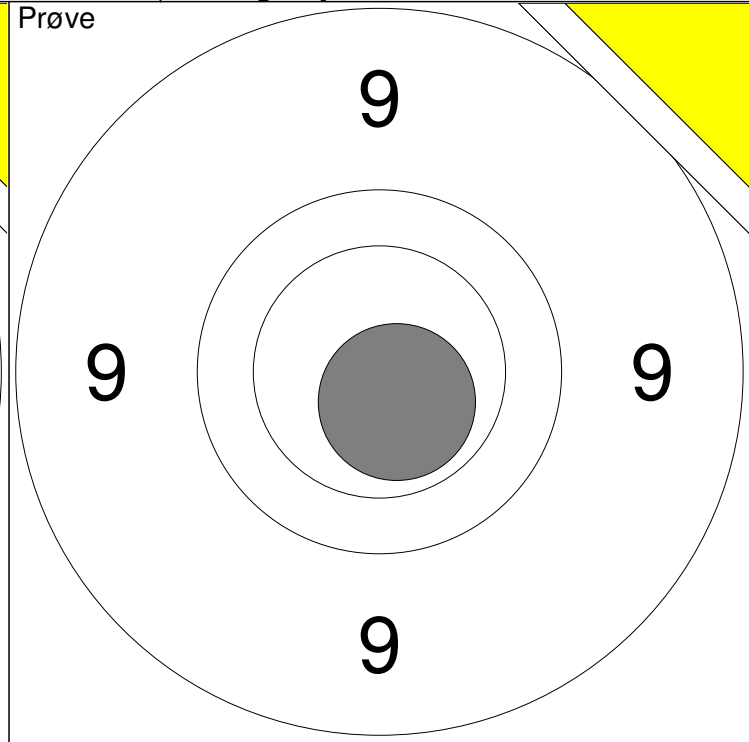
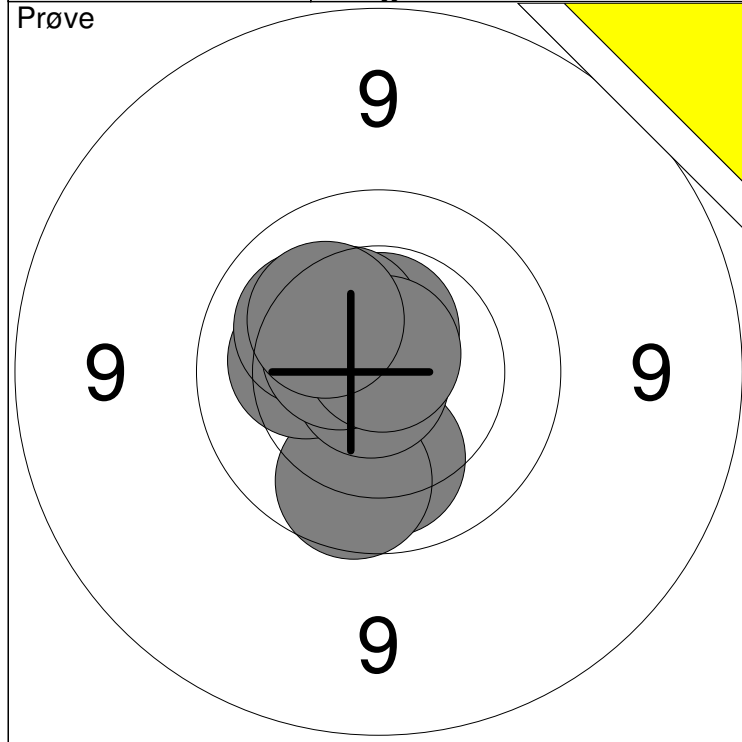
11: 10.1 ↓	Serie	48
12: 10.5x ↓		
13: 9.6 ←	Total	0
14: 9.8 →		
15: 10.6x ↙		



1: 10.5x ↙	6: 9.8 ←	Serie	97
2: 10.0 ↗	7: 10.4 ↗		
3: 10.7x ↘	8: 10.2 →	Total	97
4: 9.9 →	9: 10.3 →		
5: 10.1 ↓	10: 9.9 ←		

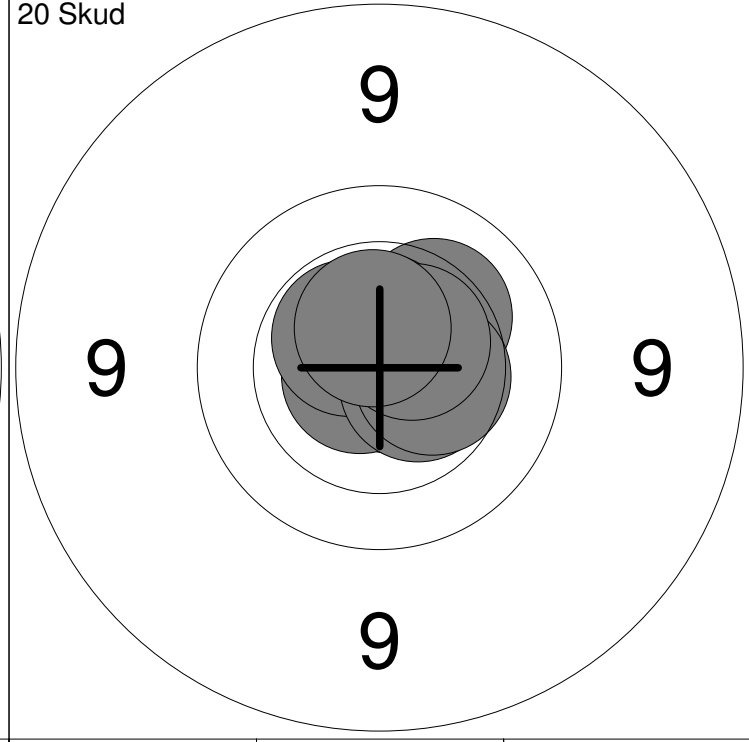
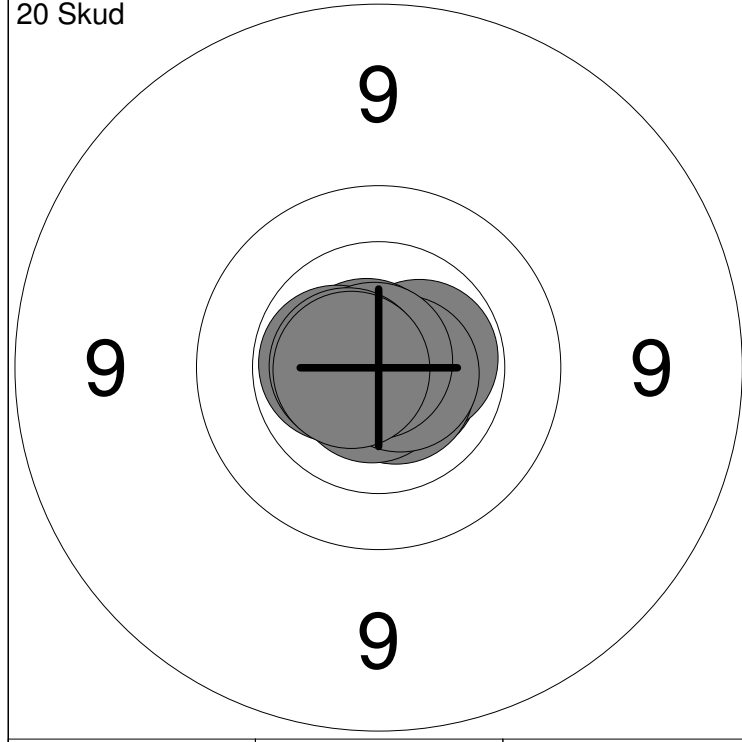
11: 10.4 ←	16: 10.8x ↓	Serie	98
12: 10.8x ↗	17: 9.7 ↓		
13: 10.0 ←	18: 10.6x ↓	Total	195
14: 10.0 ↘	19: 10.2 ↓		
15: 9.8 →	20: 10.3 →		





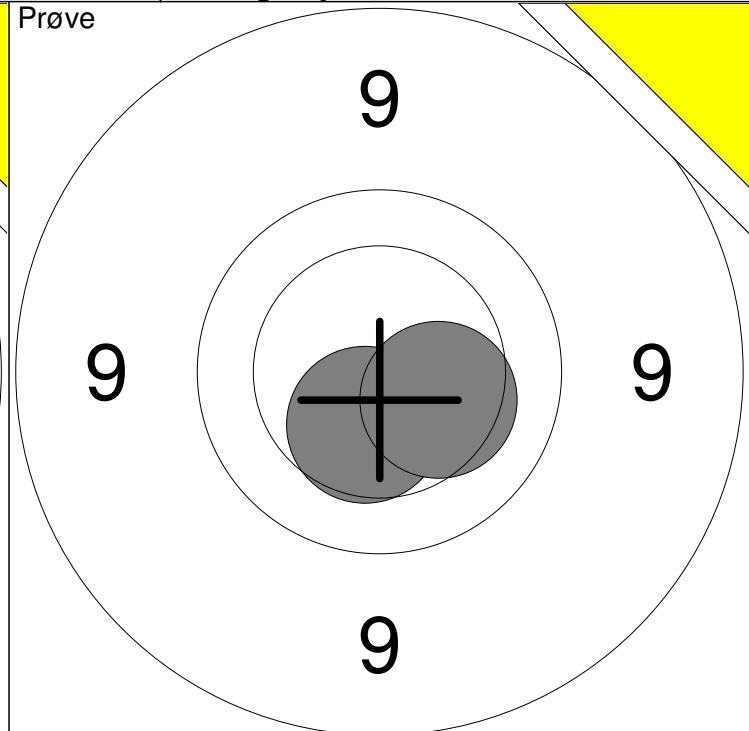
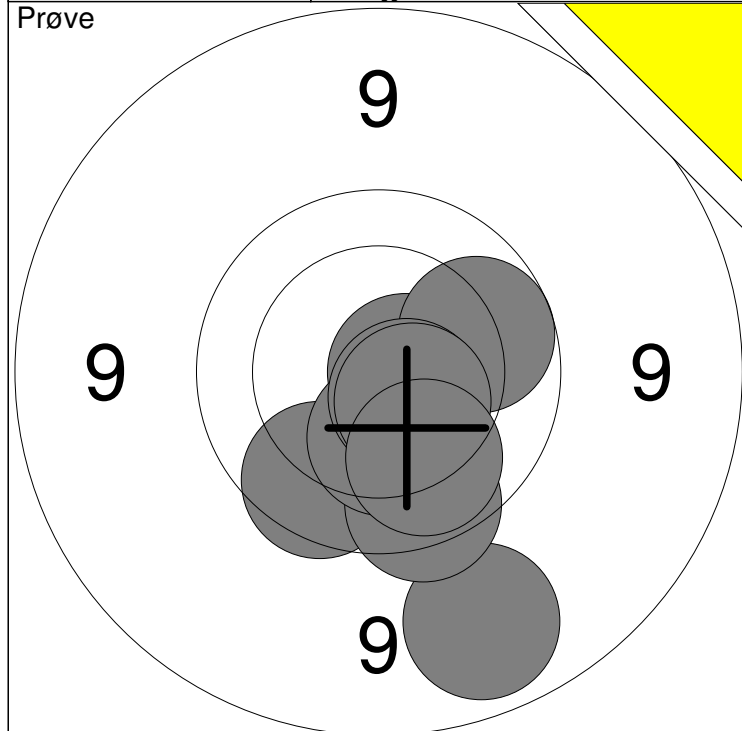
1: 10.1 ↓	6: 10.2 ↗	Serie	99
2: 9.9 ↓	7: 10.9x ↘		
3: 10.6x ↑	8: 10.5x ↖	Total	0
4: 10.2 ←	9: 10.8x ↑		
5: 10.4 ↗	10: 10.2 ↖		

11: 10.6x ↘		Serie	10
		Total	0



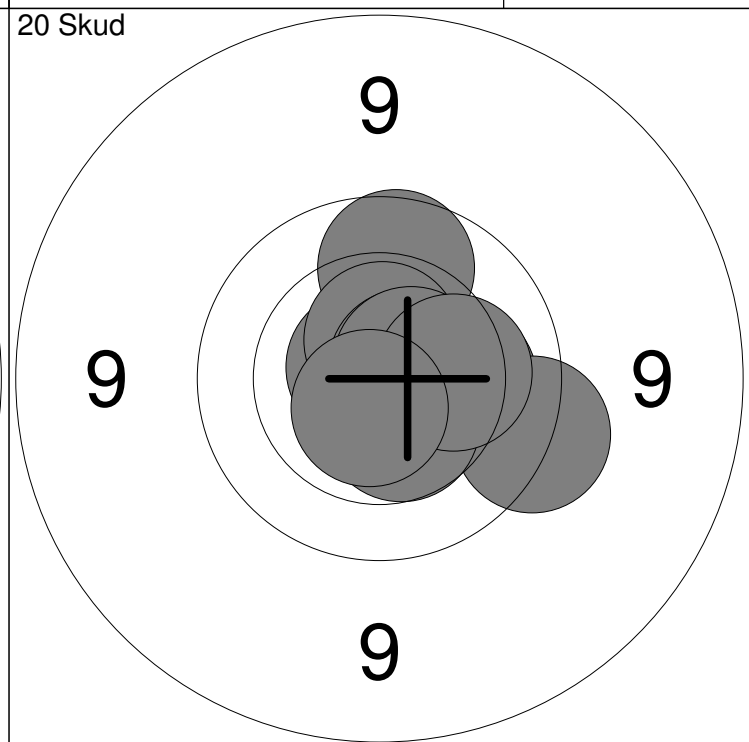
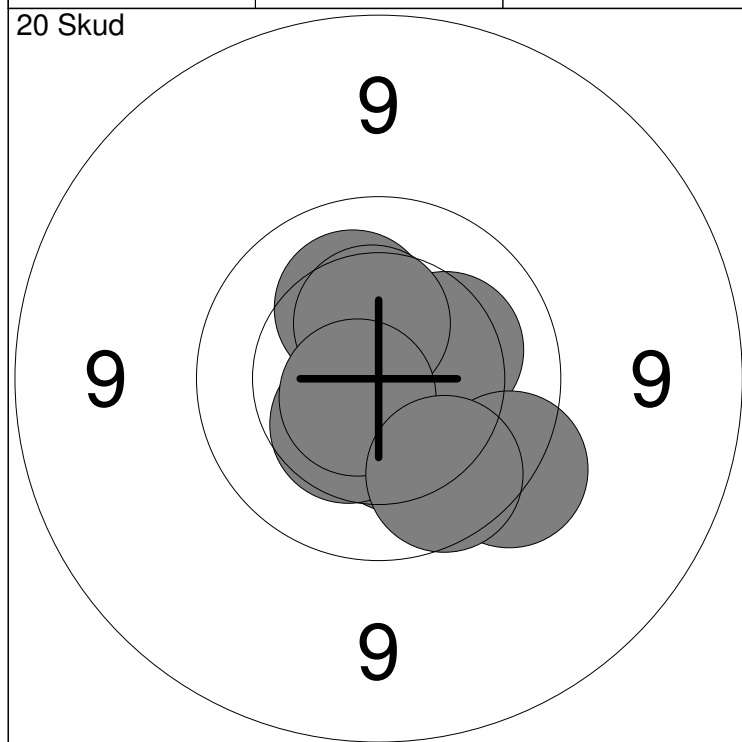
1: 10.7x ↘	6: 10.8x ↘	Serie	100
2: 10.5x →	7: 10.7x →		
3: 10.7x ↘	8: 10.9x ↗	Total	100
4: 10.8x ↗	9: 10.7x ←		
5: 10.5x ←	10: 10.7x ←		

11: 10.8x ↘	16: 10.6x ↑	Serie	100
12: 10.5 →	17: 10.5x →		
13: 10.7x ←	18: 10.4 →	Total	200
14: 10.6x ↖	19: 10.6x ↗		
15: 10.2 ↗	20: 10.6x ↑		



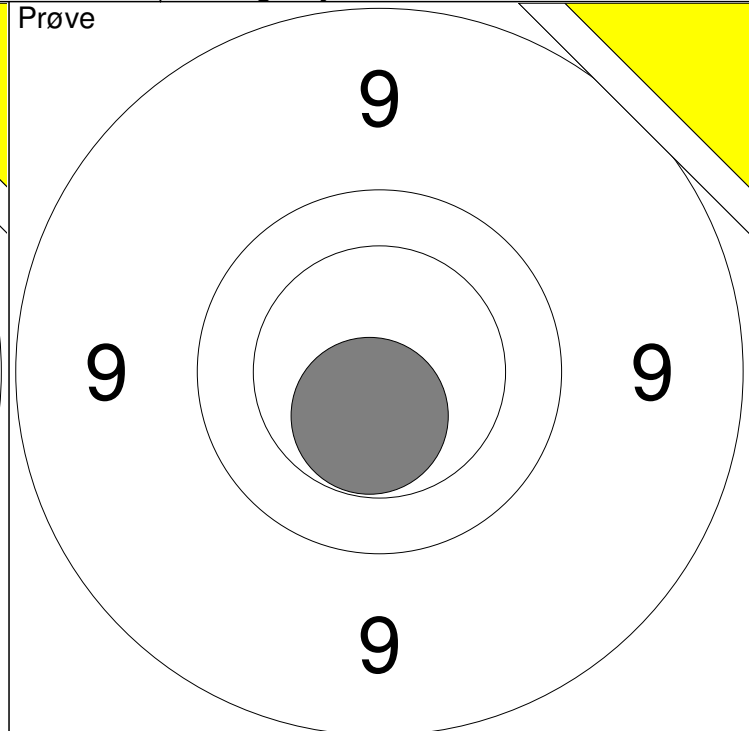
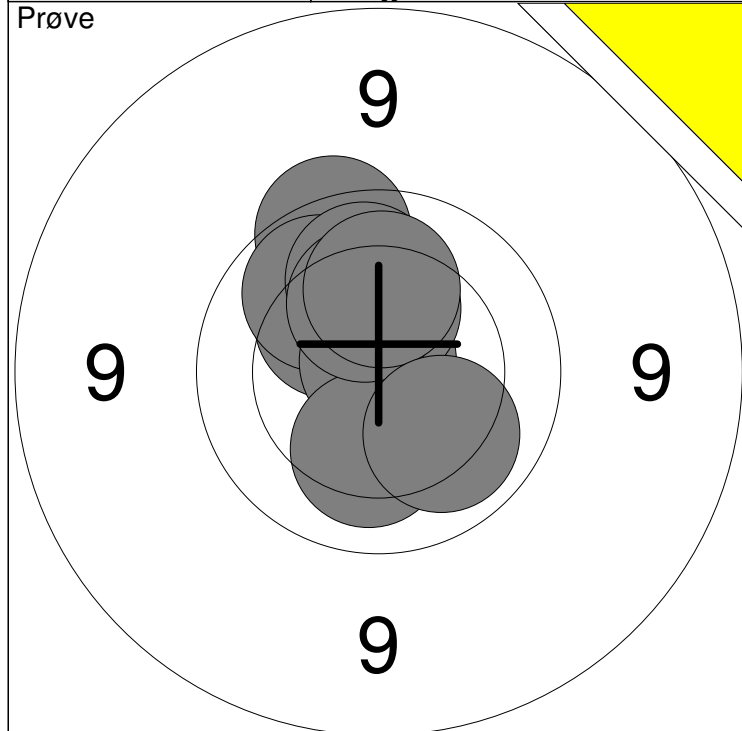
1: 9.0 ↓	6: 9.9 →	Serie	96
2: 10.6x ↓	7: 10.3 ↓		
3: 10.7x →	8: 10.6x ↓	Total	0
4: 9.8 ↓	9: 10.5x ↓		
5: 9.8 ↓	10: 10.0 ↓		

11: 10.4 ↓	Serie	20
12: 10.3 →		
Total		0



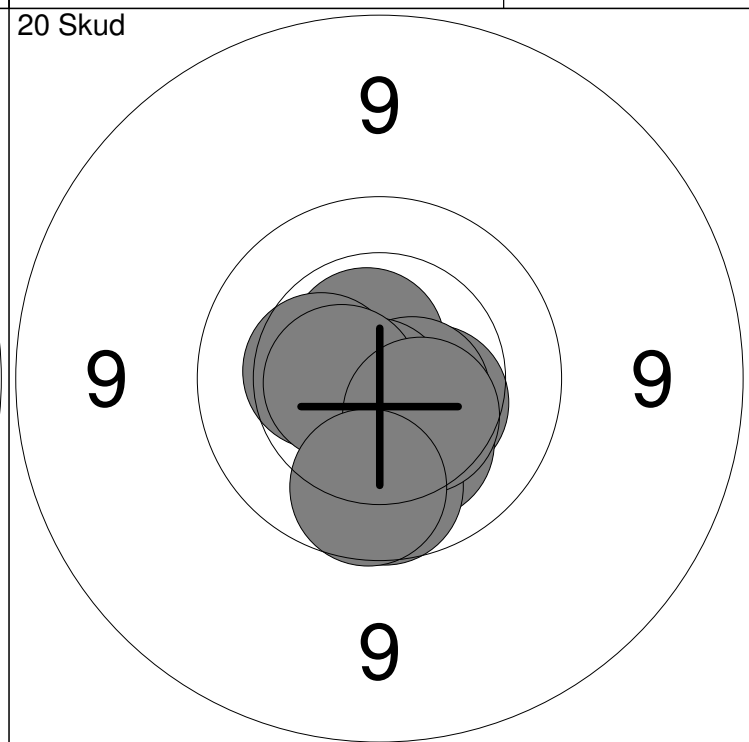
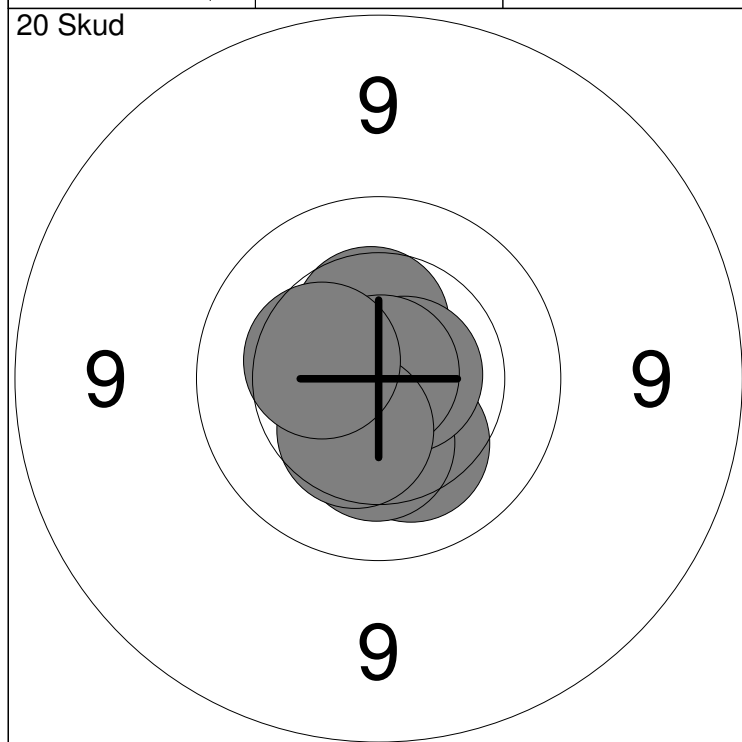
1: 10.9x ↙	6: 10.3 →	Serie	98
2: 10.4 ↓	7: 10.4 ↑		
3: 10.4 ↓	8: 9.6 ↓	Total	98
4: 10.2 ↑	9: 10.7x ↙		
5: 10.6x ↗	10: 9.9 ↓		

11: 9.9 ↑	16: 9.6 →	Serie	98
12: 10.8x ↖	17: 10.5 ↓		
13: 10.2 →	18: 10.6x →	Total	196
14: 10.6x ↑	19: 10.2 →		
15: 10.7x →	20: 10.7x ↓		



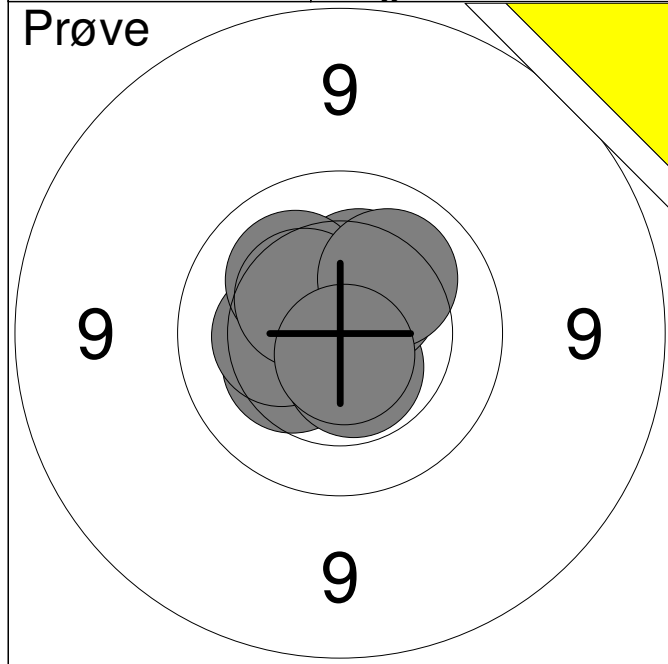
1: 9.7 ↗	6: 10.1 ↗	Serie	99
2: 10.3 ↗	7: 10.2 ↓		
3: 10.0 ↗	8: 10.3 ↗	Total	0
4: 10.8x ↗	9: 10.2 ↗		
5: 10.3 ↗	10: 10.1 ↘		

11: 10.5x ↓		Serie	10
		Total	0

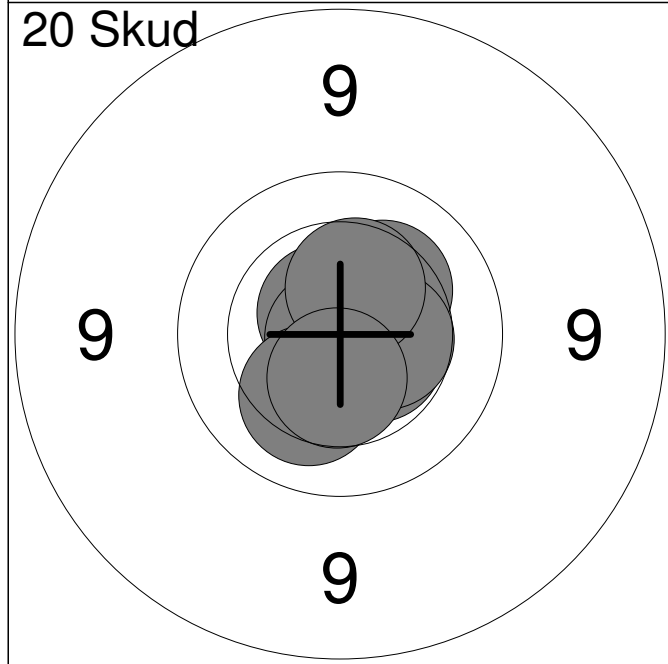


1: 10.7x ←	6: 10.7x →	Serie	100
2: 10.2 ↓	7: 10.5x ←		
3: 10.3 ↓	8: 10.9x ↗	Total	100
4: 10.8x ↗	9: 10.4 ↓		
5: 10.4 ↗	10: 10.4 ←		

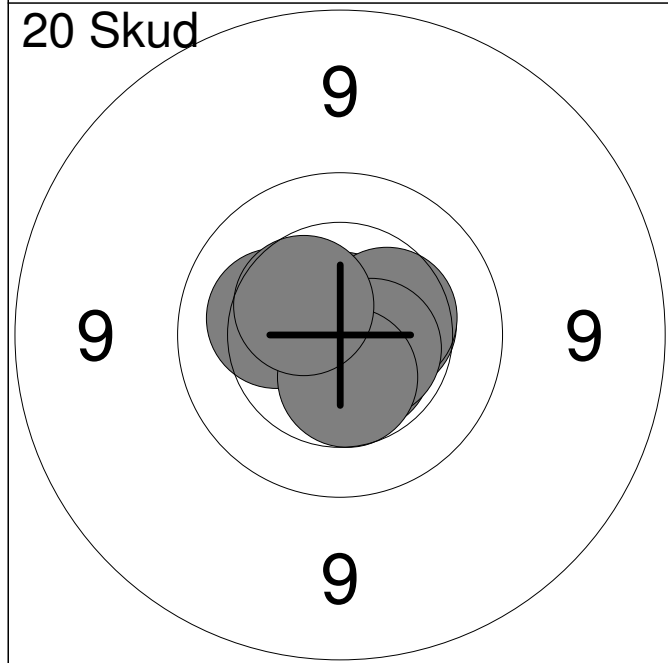
11: 10.4 →	16: 10.6x →	Serie	98
12: 10.2 ↓	17: 10.8x ↓		
13: 9.9 ↓	18: 10.6x ←	Total	198
14: 10.6x ↗	19: 10.4 ↓		
15: 10.4 ←	20: 9.9 ↓		



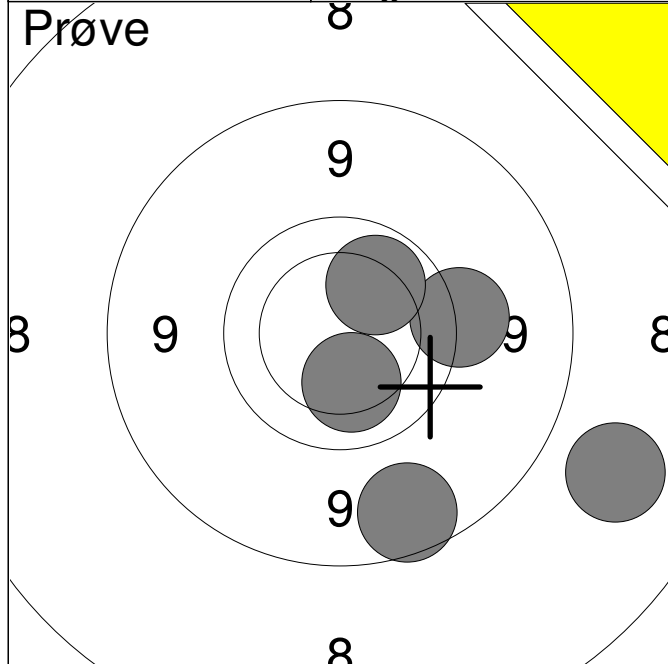
1:	10.3	↗
2:	10.3	↖
3:	10.3	←
4:	10.5x	↓
5:	10.2	↗
6:	10.4	↗
7:	10.4	↗
8:	10.2	↗
9:	10.7x	↓
<b>Serie</b>		<b>90.0</b>
<b>Total</b>		<b>0.0</b>



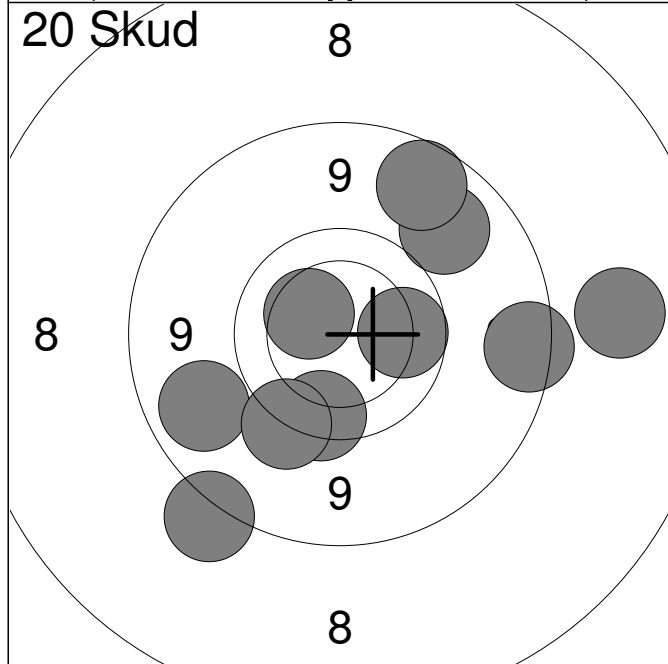
1:	10.8x	↗
2:	10.7x	↗
3:	10.5x	→
4:	10.9x	↖
5:	10.6x	→
6:	10.3	↗
7:	10.5	→
8:	10.4	↑
9:	10.2	↖
10:	10.5	↓
<b>Serie</b>		<b>100.0</b>
<b>Total</b>		<b>100.0</b>



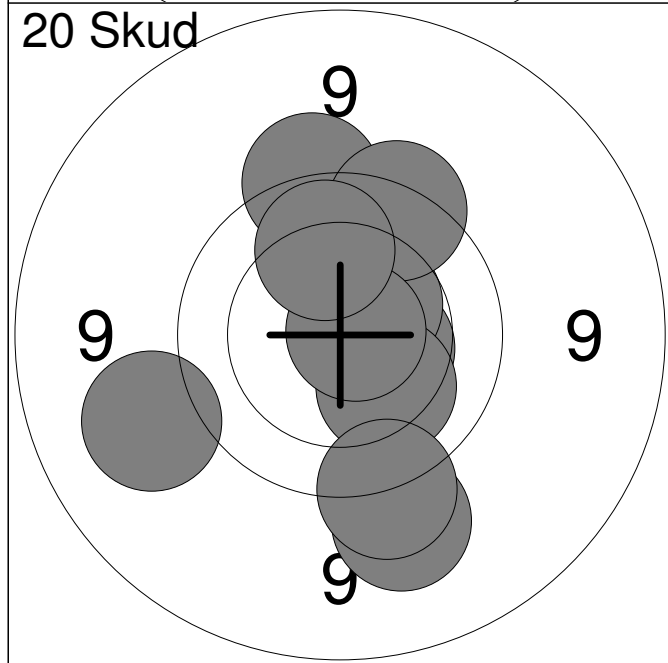
11:	10.2	←
12:	10.4	→
13:	10.6x	↓
14:	10.7x	→
15:	10.6x	→
16:	10.8x	↑
17:	10.4	→
18:	10.6x	→
19:	10.5	↓
20:	10.4	↗
<b>Serie</b>		<b>100.0</b>
<b>Total</b>		<b>200.0</b>



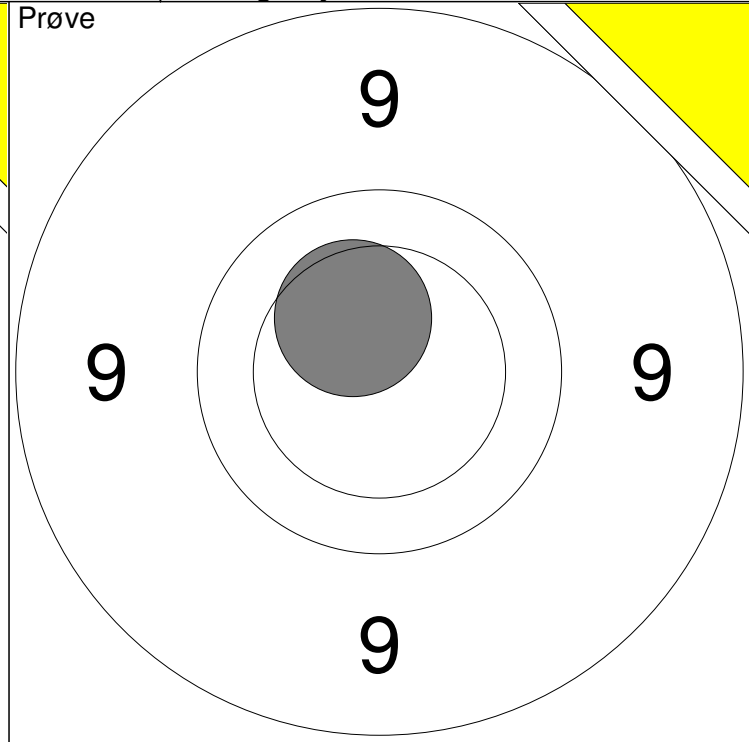
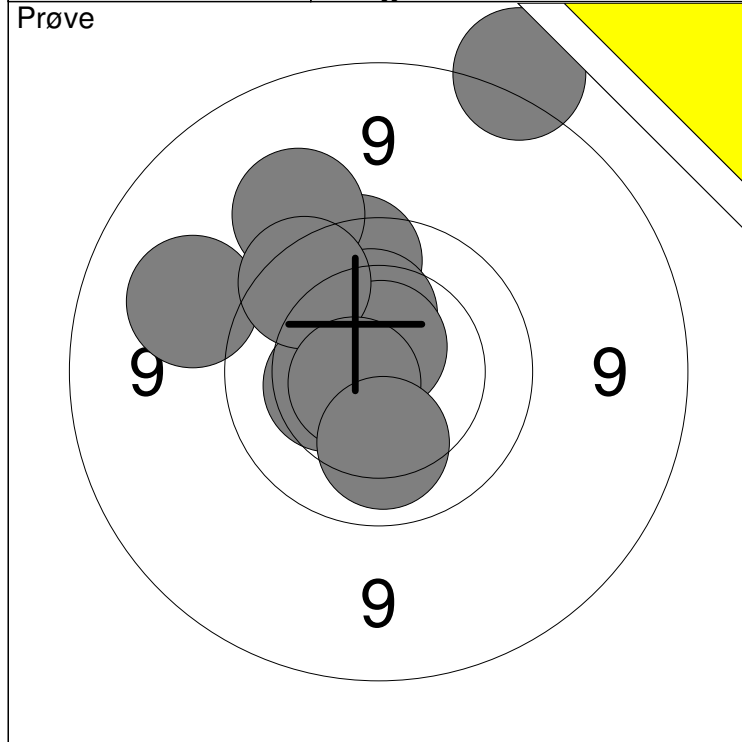
	1:	9.5	→
	2:	8.9	↓
	3:	8.3	↘
	4:	10.0	↗
	5:	10.2	↓
<b>Serie</b>			<b>45.0</b>
<b>Total</b>			<b>0.0</b>



	1:	9.7	↓
	2:	8.2	→
	3:	10.3	↗
	4:	9.1	↗
	5:	8.8	→
	6:	9.1	↖
	7:	9.9	→
	8:	8.9	↗
	9:	9.5	↖
	10:	8.6	↖
<b>Serie</b>			<b>87.0</b>
<b>Total</b>			<b>87.0</b>

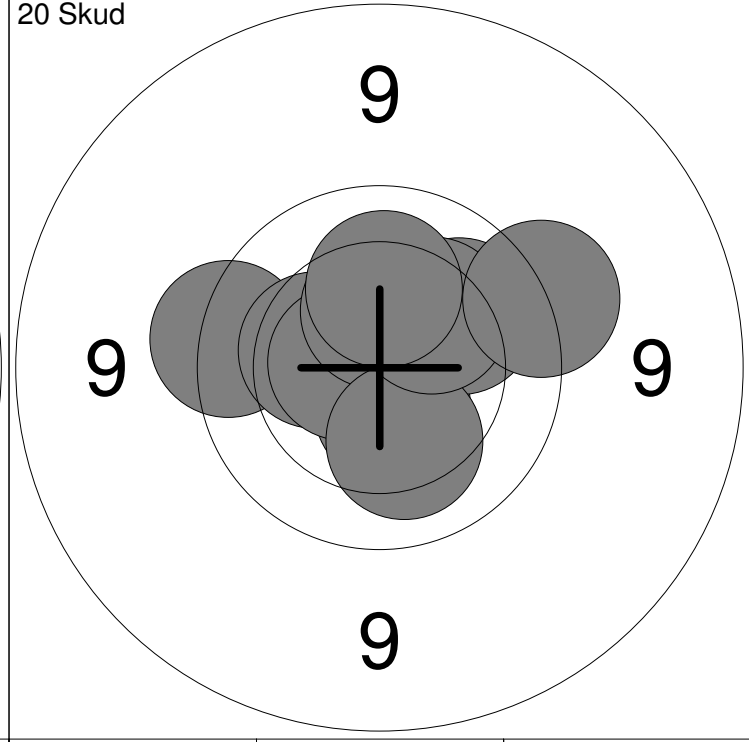
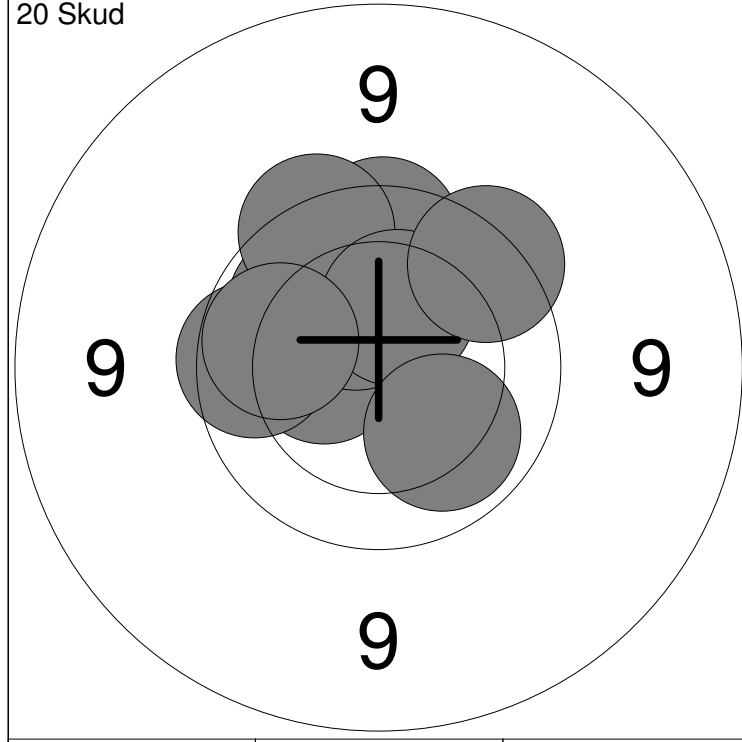


	11:	9.3	↓
	12:	9.6	↑
	13:	9.2	↖
	14:	10.4	→
	15:	10.5	↗
	16:	9.7	↗
	17:	10.2	↓
	18:	9.5	↓
	19:	10.8x	→
	20:	10.0	↑
<b>Serie</b>			<b>95.0</b>
<b>Total</b>			<b>182.0</b>



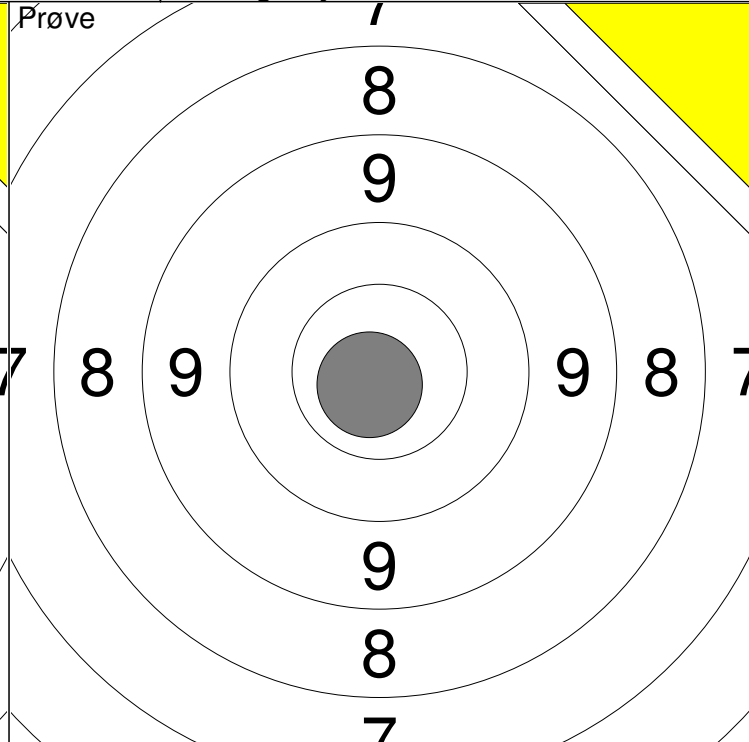
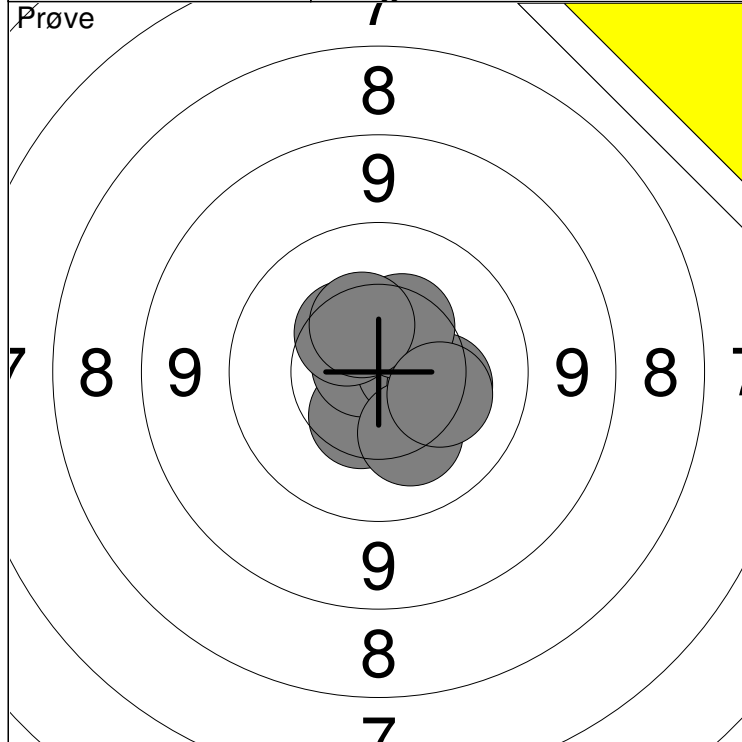
1: 8.6 ↗	6: 9.4 ↖	Serie	94
2: 9.8 ↑	7: 10.7x ↑		
3: 9.2 ↖	8: 9.8 ↖	Total	0
4: 10.4 ←	9: 10.6x ↙		
5: 10.3 ↑	10: 10.1 ↓		

11: 10.4 ↖	Serie	10
	Total	0



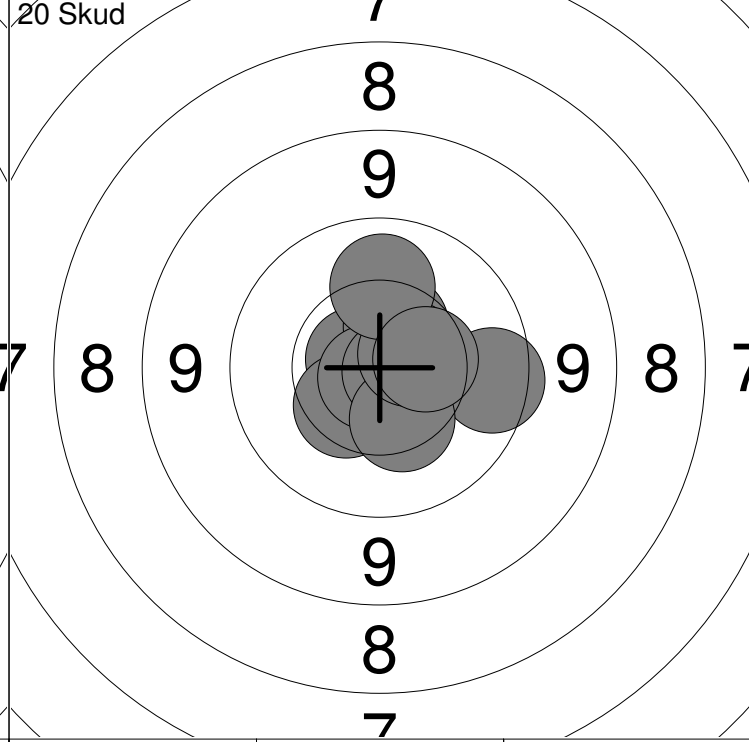
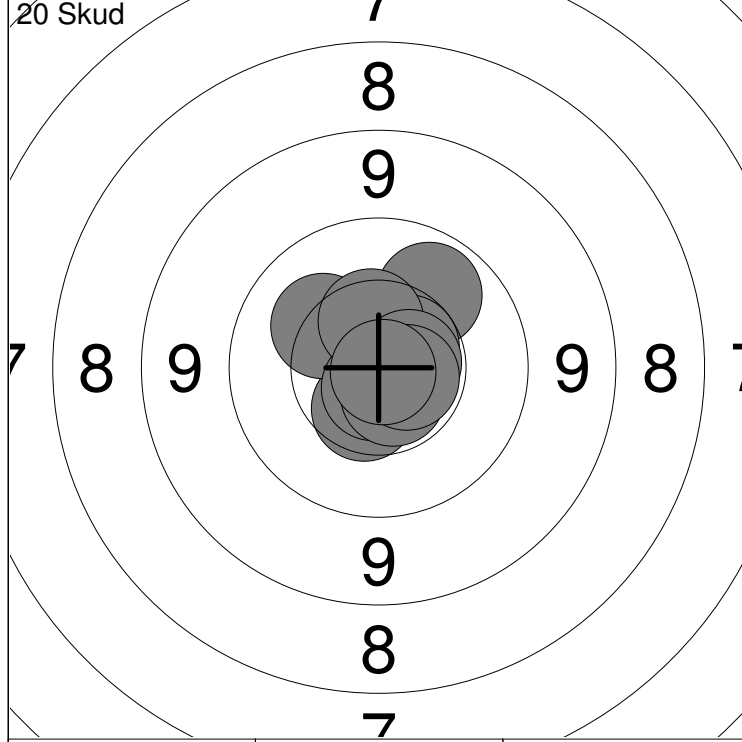
1: 10.0 ↖	6: 10.3 ↑	Serie	96
2: 10.4 ←	7: 9.7 ↗		
3: 10.4 ↑	8: 10.1 ↘	Total	96
4: 9.8 ↑	9: 9.8 ←		
5: 9.7 ↗	10: 10.0 ←		

11: 9.7 ←	16: 10.4 ↑	Serie	98
12: 10.5x ↓	17: 10.2 ↓		
13: 10.0 ↗	18: 10.2 ↗	Total	194
14: 10.3 ←	19: 10.2 ↑		
15: 10.6x ←	20: 9.6 ↗		



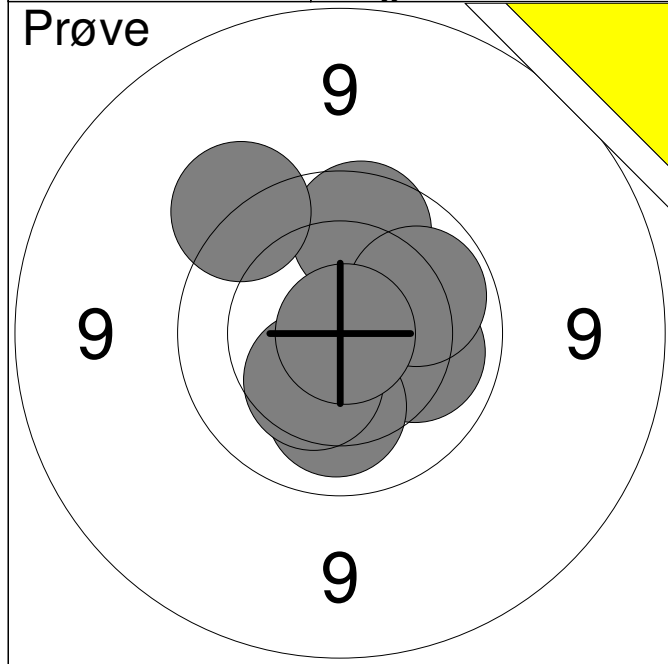
1: 10.8x ↗	6: 10.3 →	Serie	100
2: 10.5 ↘	7: 10.2 ↘		
3: 10.8x ↖	8: 10.4 ↗	Total	0
4: 10.6x →	9: 10.4 ↗		
5: 10.4 ↖	10: 10.3 ↘		

11: 10.8x ↙	Serie	10
	Total	0

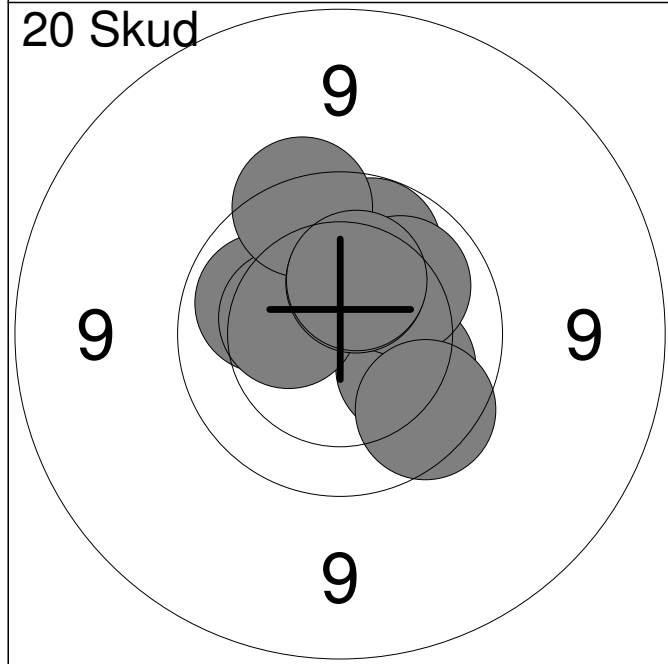


1: 10.5 ↘	6: 10.5 ↗	Serie	100
2: 10.2 ↖	7: 10.6x ↘		
3: 10.0 ↗	8: 10.6x →	Total	100
4: 10.7x ↘	9: 10.6x →		
5: 10.6x ↗	10: 10.9x ↘		

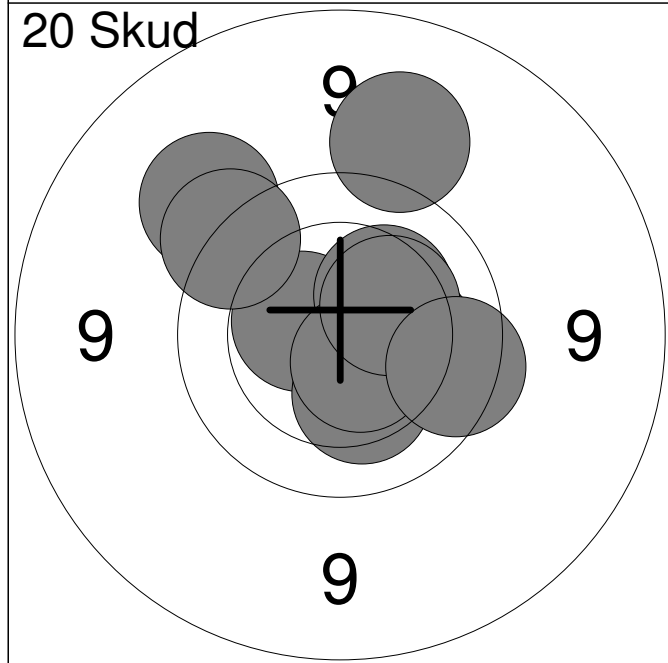
11: 10.7x ↖	16: 10.8x →	Serie	99
12: 10.4 ↘	17: 10.4 ↘		
13: 10.5 ↗	18: 10.6x →	Total	199
14: 9.8 →	19: 10.1 ↗		
15: 10.8x ↙	20: 10.5 →		



1:	10.1	→
2:	9.9	↑
3:	10.2	↓
4:	10.4	↙
5:	10.0	↗
6:	9.6	↖
7:	10.9x	→
<b>Serie</b>		<b>68.0</b>
<b>Total</b>		<b>0.0</b>

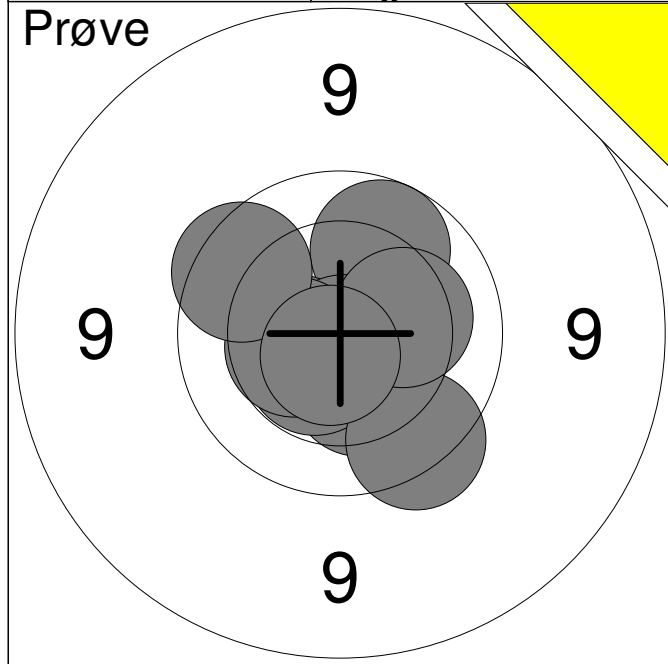


1:	10.2	→
2:	10.1	←
3:	10.4	←
4:	10.3	↗
5:	10.0	↗
6:	10.1	↗
7:	9.7	↑
8:	9.8	↘
9:	10.4	↑
10:	10.3	↑
<b>Serie</b>		<b>98.0</b>
<b>Total</b>		<b>98.0</b>

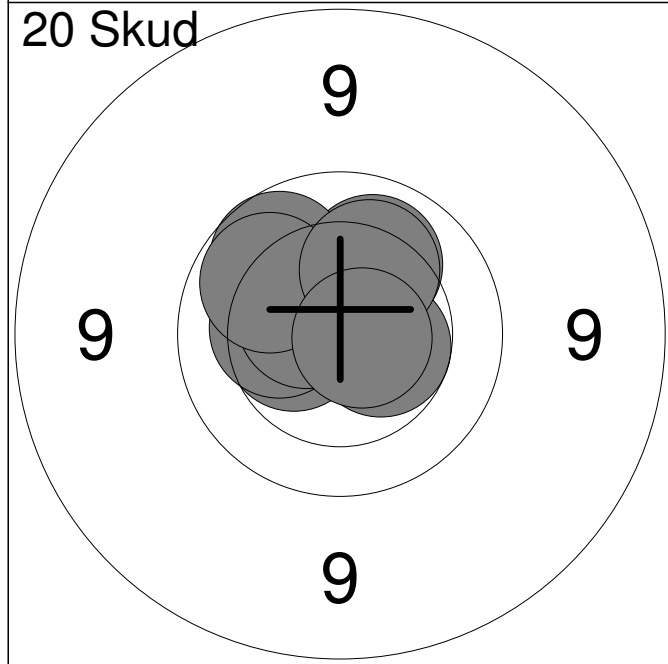


11:	10.5x	←
12:	10.2	→
13:	9.4	↗
14:	10.3	↗
15:	10.3	↓
16:	10.6x	↓
17:	9.3	↑
18:	9.6	↗
19:	10.3	↗
20:	9.8	→
<b>Serie</b>		<b>96.0</b>
<b>Total</b>		<b>194.0</b>

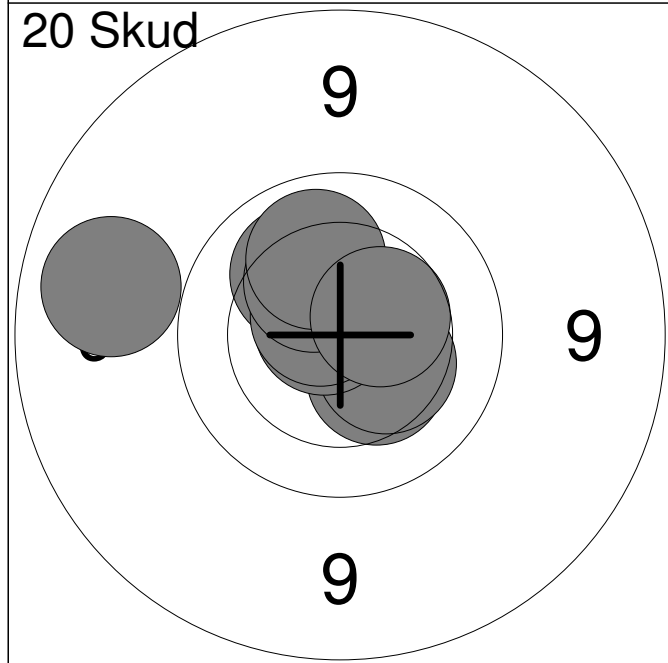




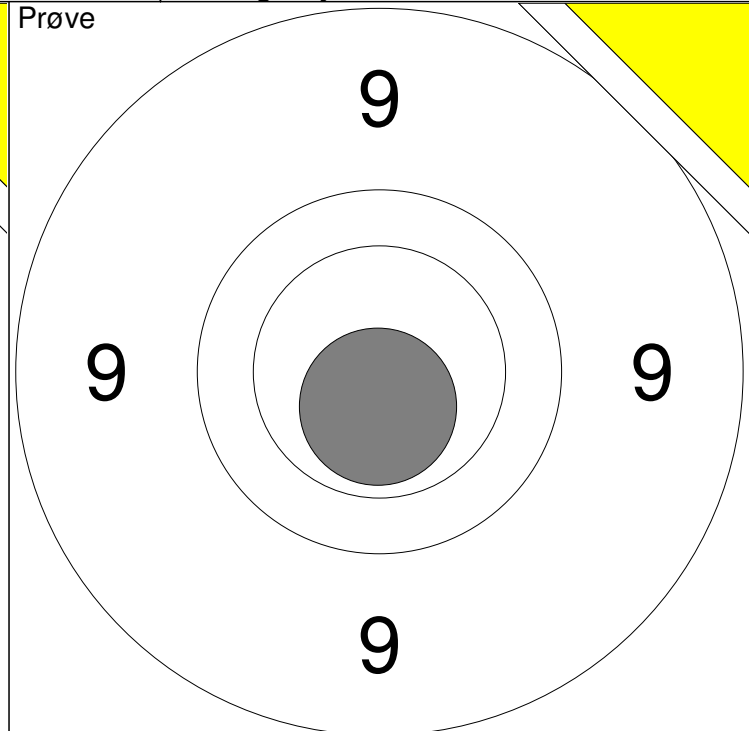
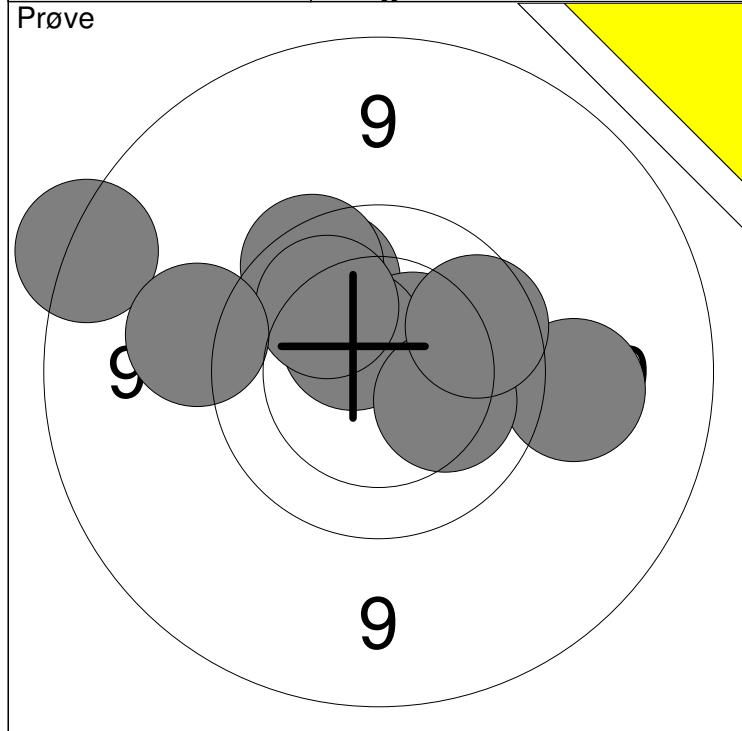
1:	10.0	↗
2:	10.3	↘
3:	10.5x	↘
4:	10.5	←
5:	10.8x	↘
6:	10.4	←
7:	9.8	↗
8:	9.7	↘
9:	10.2	→
10:	10.7x	↘
<b>Serie</b>		<b>98.0</b>
<b>Total</b>		<b>0.0</b>



1:	10.4	←
2:	10.1	↗
3:	9.9	↗
4:	10.8x	↗
5:	10.3	←
6:	10.5x	→
7:	10.5x	↗
8:	10.0	↗
9:	10.2	↗
10:	10.7x	→
<b>Serie</b>		<b>99.0</b>
<b>Total</b>		<b>99.0</b>

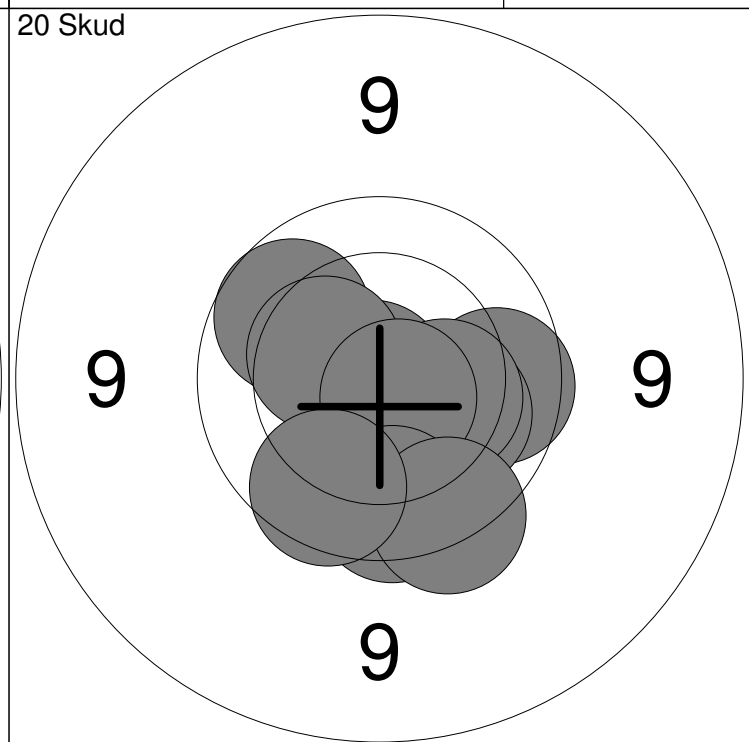
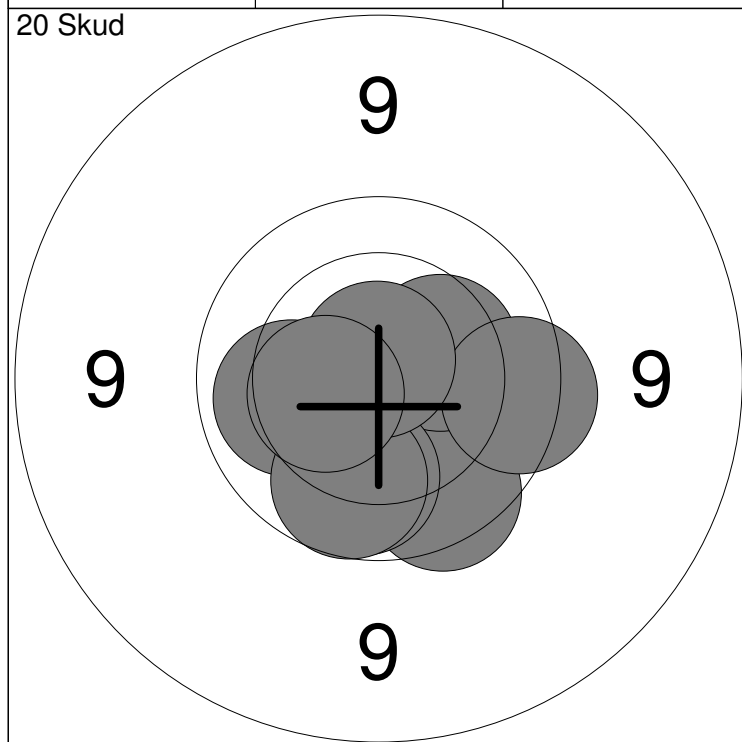


11:	10.4	↘
12:	10.4	↘
13:	10.7x	↗
14:	10.2	↗
15:	10.5x	↗
16:	10.7x	↗
17:	10.3	↗
18:	10.1	↗
19:	9.1	←
20:	10.5	→
<b>Serie</b>		<b>99.0</b>
<b>Total</b>		<b>198.0</b>



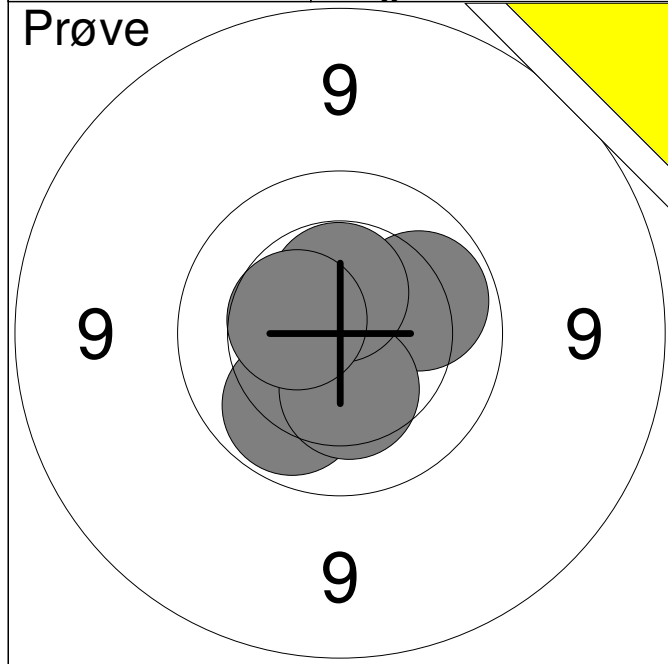
1: 9.9 ↗	6: 10.1 ↗	Serie	93
2: 9.8 ↗	7: 9.4 ←		
3: 8.7 ↖	8: 9.3 →	Total	0
4: 10.5 ↗	9: 10.2 ↘		
5: 10.5x ↗	10: 9.9 ↗		

11: 10.6x ↓	Serie	10
	Total	0

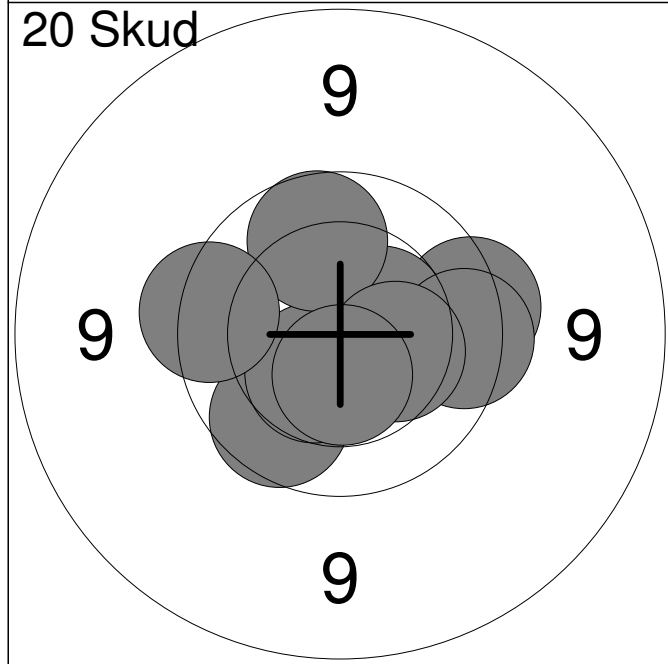


1: 10.1 ↘	6: 10.0 ↓	Serie	97
2: 10.5x ↓	7: 9.7 →		
3: 9.8 ↓	8: 9.9 ↓	Total	97
4: 10.3 ↗	9: 10.8x ↑		
5: 10.1 ←	10: 10.4 ←		

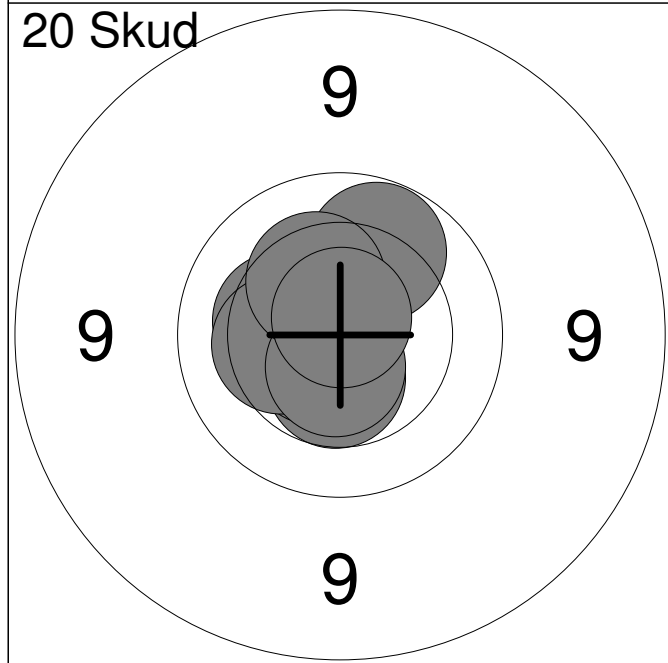
11: 9.9 ↗	16: 10.4 ←	Serie	95
12: 10.9x ←	17: 10.7x ↓		
13: 9.9 →	18: 9.8 ↓	Total	192
14: 10.2 ↘	19: 9.7 ↓		
15: 10.3 ↗	20: 9.9 ↓		



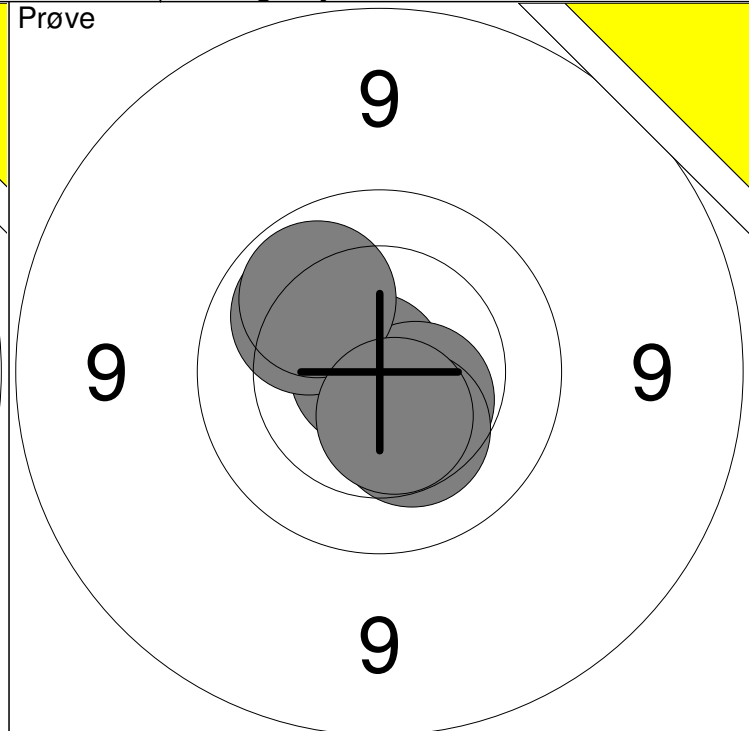
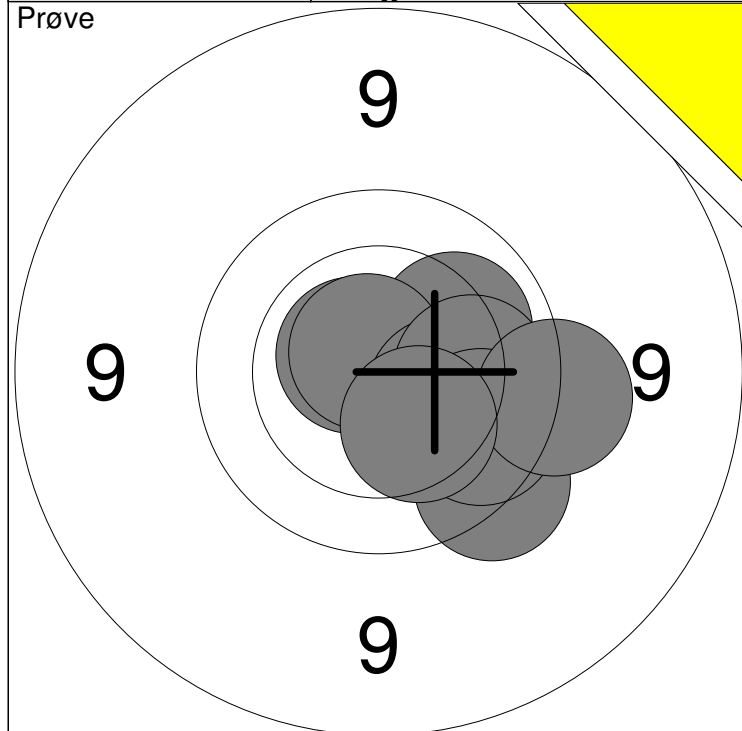
1:	10.4	↓
2:	10.0	↙
3:	10.0	→
4:	10.3	↓
5:	10.5x	↑
6:	10.5	↖
Serie		60.0
Total		0.0



1:	9.7	→
2:	9.9	↙
3:	10.8x	→
4:	10.5	→
5:	10.5	↙
6:	9.8	→
7:	9.9	↑
8:	10.3	→
9:	9.7	↖
10:	10.5x	↓
Serie		95.0
Total		95.0

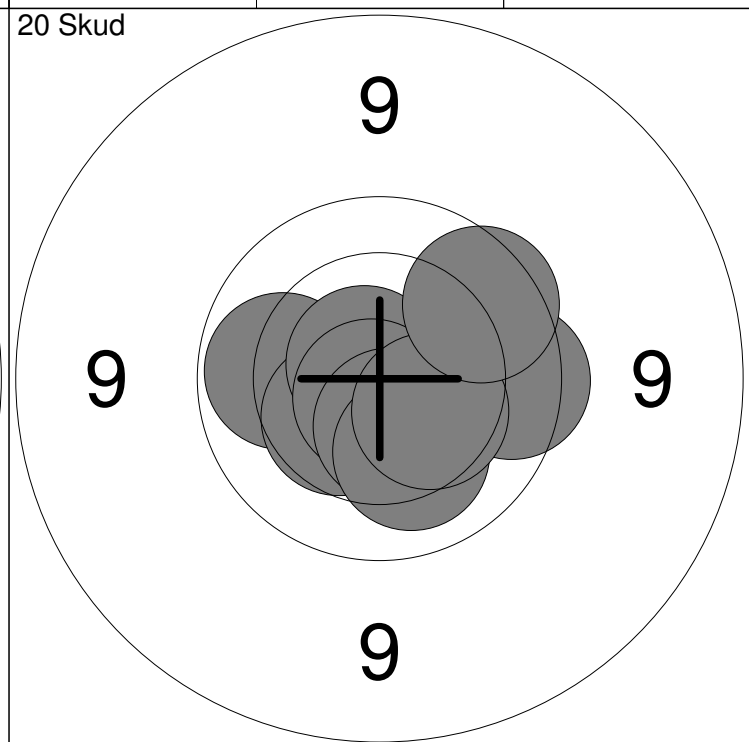
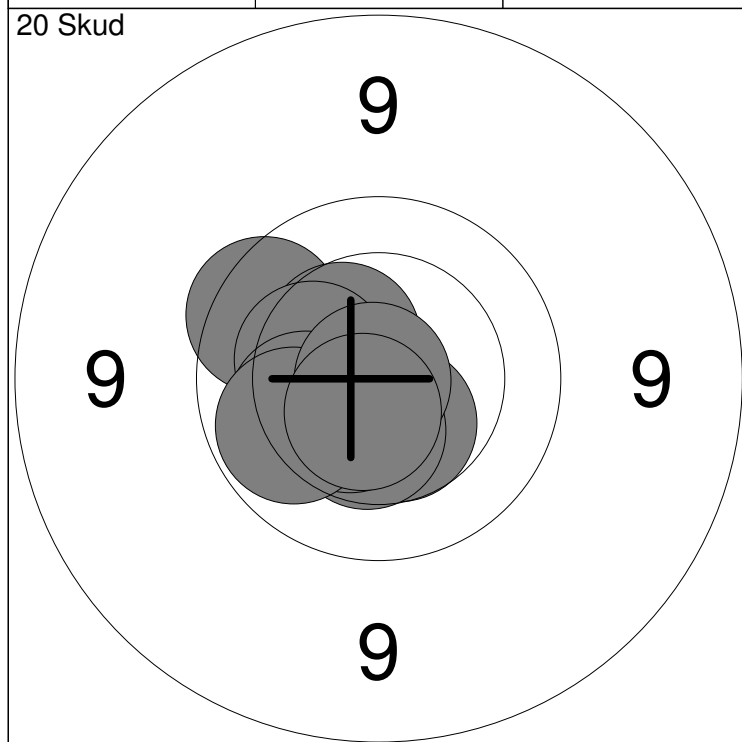


11:	10.4	↖
12:	10.7x	↗
13:	10.0	↗
14:	10.5	↓
15:	10.6x	↙
16:	10.3	↖
17:	10.3	↖
18:	10.6x	↓
19:	10.3	↗
20:	10.8x	↑
Serie		100.0
Total		195.0



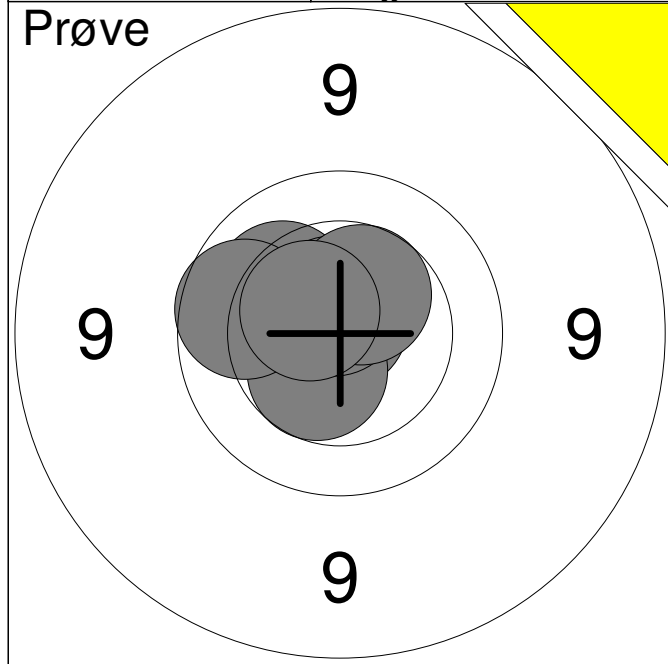
1: 10.1 ↗	6: 10.3 →	Serie	97
2: 10.7x ↗	7: 10.1 →		
3: 9.6 ↓	8: 9.9 ↓	Total	0
4: 10.7x ↗	9: 9.5 →		
5: 10.2 ↓	10: 10.3 ↓		

11: 10.8x ←	16: 10.5x ↓	Serie	60
12: 10.5x ↓	13: 10.1 ↗		
14: 10.3 ↓	15: 10.0 ↗	Total	0

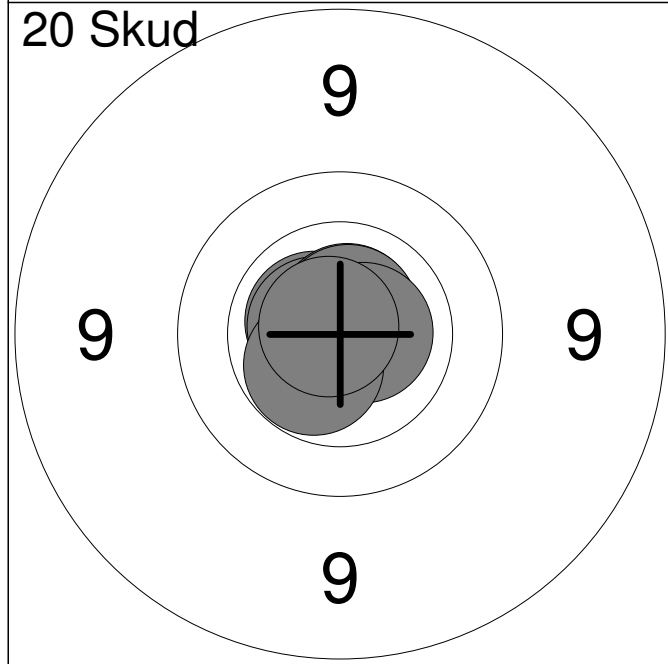


1: 9.8 ↗	6: 10.2 ←	Serie	99
2: 10.4 ↗	7: 10.5x ↓		
3: 10.5 ↓	8: 10.0 ←	Total	99
4: 10.3 ←	9: 10.9x ←		
5: 10.4 ↓	10: 10.6x ↓		

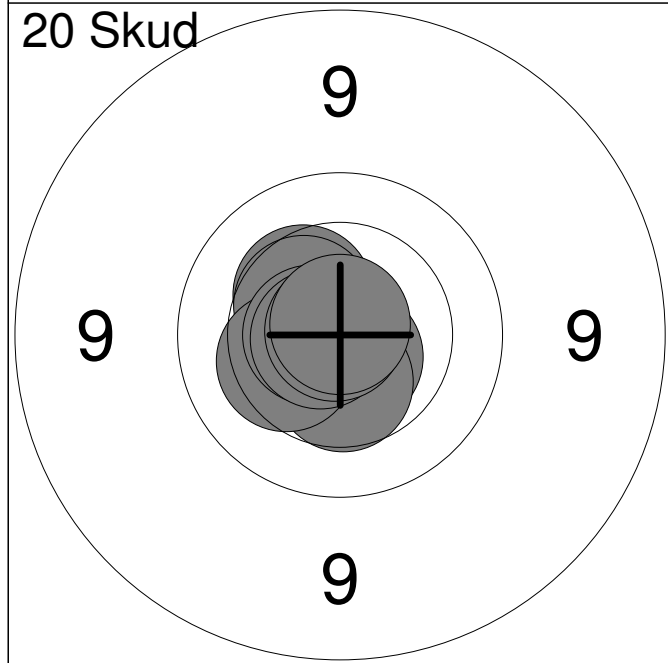
11: 10.0 ←	16: 10.5 ↓	Serie	98
12: 10.4 ↓	17: 9.8 →		
13: 10.8x ↗	18: 10.2 ↓	Total	197
14: 10.5x ↓	19: 10.4 ↓		
15: 10.7x ↓	20: 9.8 ↗		



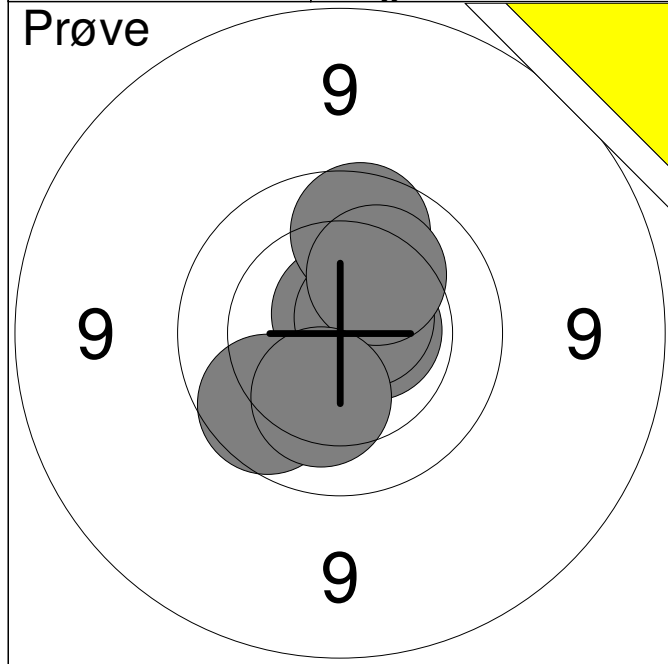
1:	10.8x	↑
2:	10.7x	↗
3:	10.2	↗
4:	10.7x	↗
5:	10.7x	↗
6:	10.5	↘
7:	10.6x	↑
8:	10.5	↗
9:	9.9	←
10:	10.5x	↗
<b>Serie</b>		<b>99.0</b>
<b>Total</b>		<b>0.0</b>



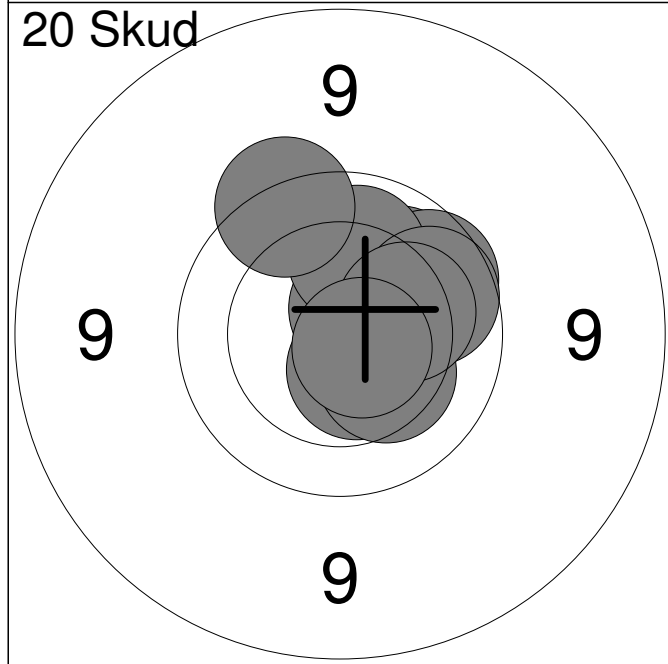
1:	10.6x	↖
2:	10.7x	←
3:	10.7x	↗
4:	10.7x	↗
5:	10.9x	←
6:	10.9x	↗
7:	10.7x	↘
8:	10.7x	→
9:	10.5x	↘
10:	10.8x	↗
<b>Serie</b>		<b>100.0</b>
<b>Total</b>		<b>100.0</b>



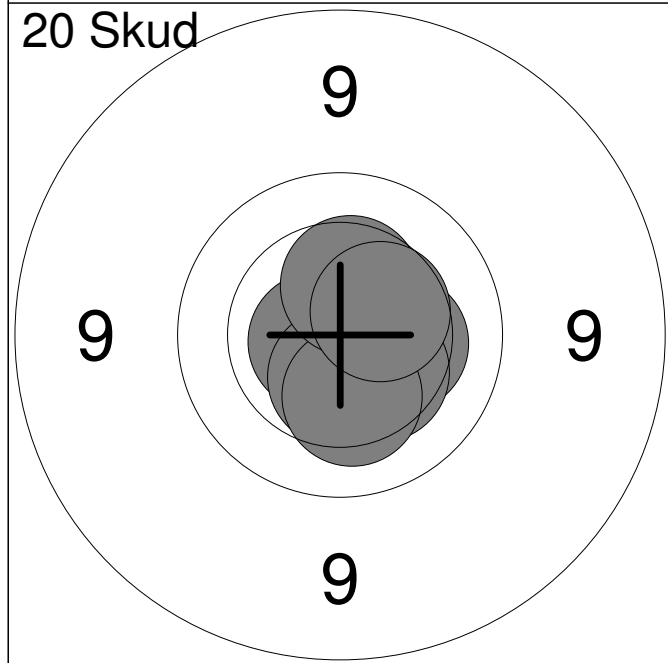
11:	10.4	↗
12:	10.8x	←
13:	10.7x	↘
14:	10.4	↗
15:	10.4	↘
16:	10.3	←
17:	10.7x	←
18:	10.7x	←
19:	10.9x	↗
20:	10.8x	↑
<b>Serie</b>		<b>100.0</b>
<b>Total</b>		<b>200.0</b>



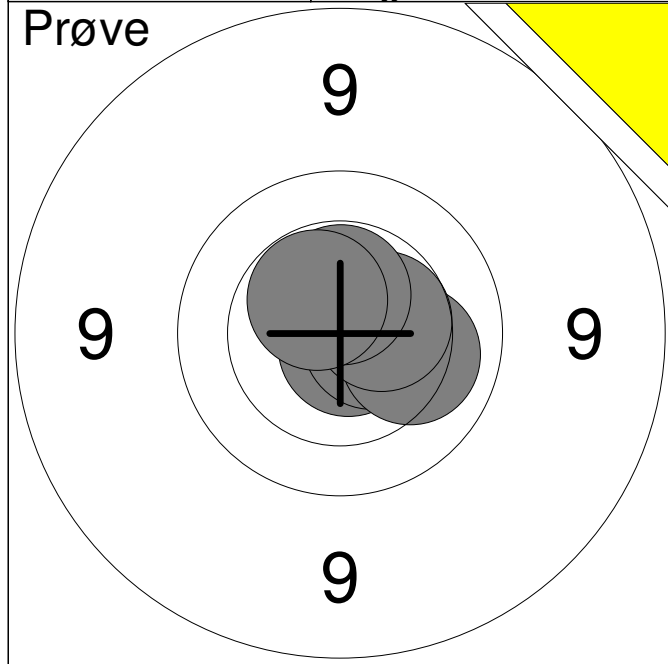
1:	10.6x	→
2:	10.7x	↑
3:	9.9	↑
4:	10.6x	↗
5:	9.9	↖
6:	10.2	↗
7:	10.2	↓
<b>Serie</b>		<b>68.0</b>
<b>Total</b>		<b>0.0</b>



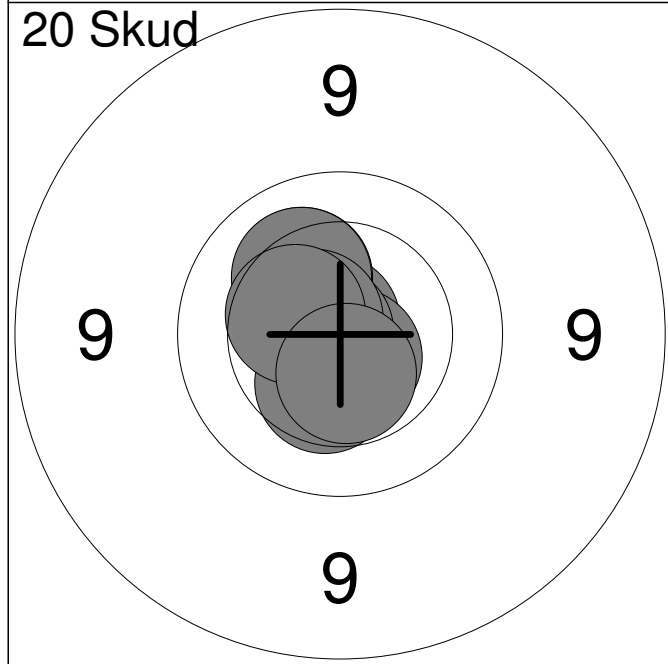
1:	10.6x	↗
2:	10.1	↗
3:	9.9	↗
4:	10.1	↑
5:	9.9	→
6:	10.5x	↓
7:	10.3	↓
8:	10.2	→
9:	10.7x	↘
10:	9.7	↑
<b>Serie</b>		<b>97.0</b>
<b>Total</b>		<b>97.0</b>



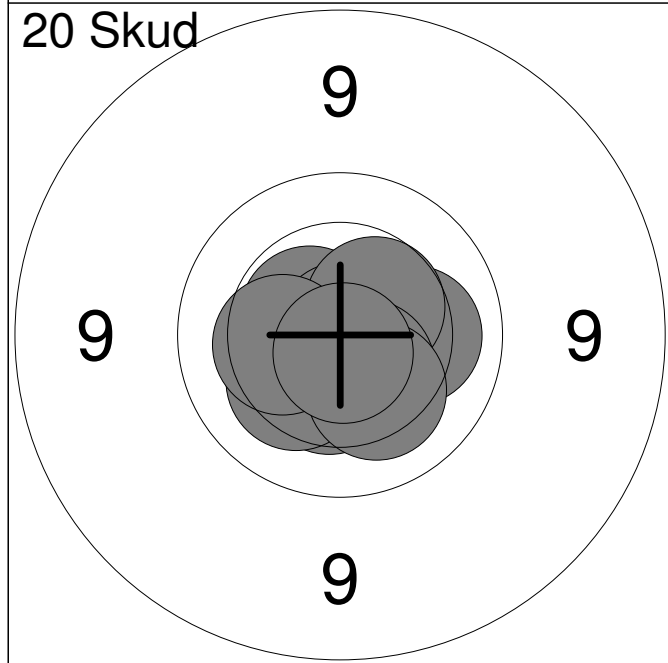
11:	10.8x	↗
12:	10.8x	↗
13:	10.7x	↗
14:	10.3	→
15:	10.7x	←
16:	10.5	↓
17:	10.4	↘
18:	10.3	↓
19:	10.4	↑
20:	10.4	↗
<b>Serie</b>		<b>100.0</b>
<b>Total</b>		<b>197.0</b>



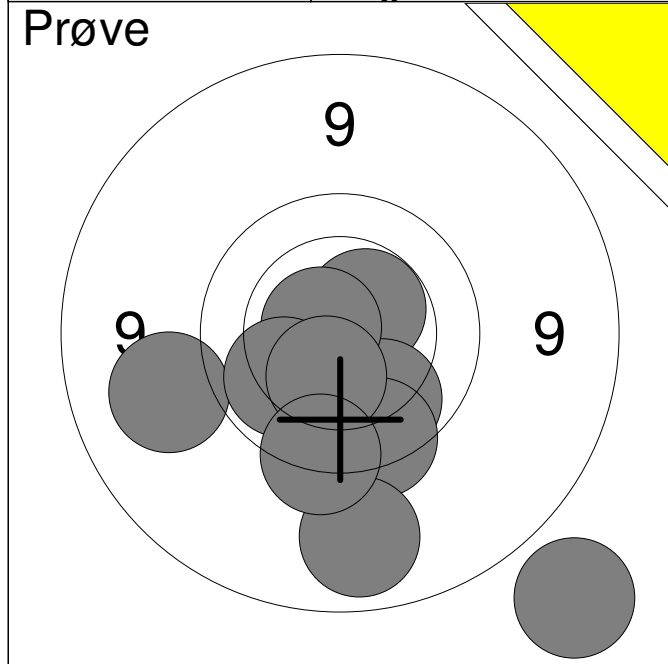
1:	10.6x	↑
2:	10.8x	↓
3:	10.6x	→
4:	10.2	→
5:	10.5	→
6:	10.5x	↑
7:	10.5x	↖
<b>Serie</b>		<b>70.0</b>
<b>Total</b>		<b>0.0</b>



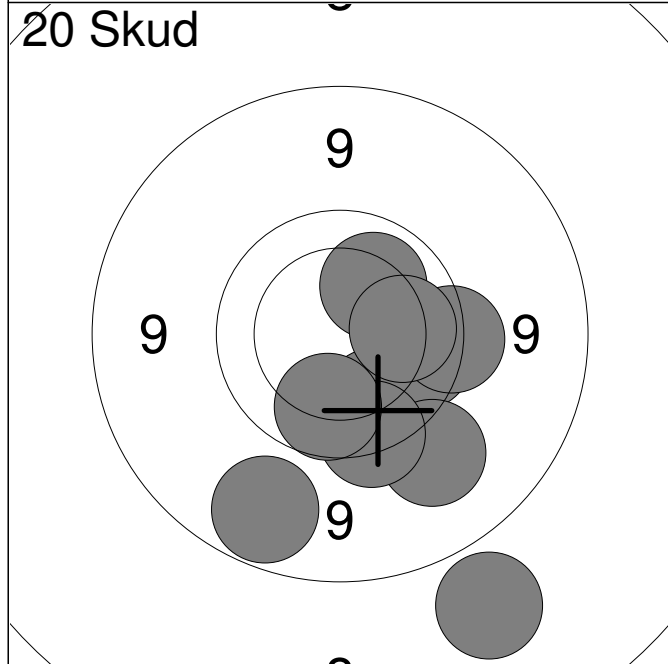
1:	10.8x	↗
2:	10.6x	↗
3:	10.7x	↓
4:	10.2	↗
5:	10.8x	←
6:	10.4	↓
7:	10.2	↗
8:	10.6x	↗
9:	10.4	↗
10:	10.5x	↓
<b>Serie</b>		<b>100.0</b>
<b>Total</b>		<b>100.0</b>



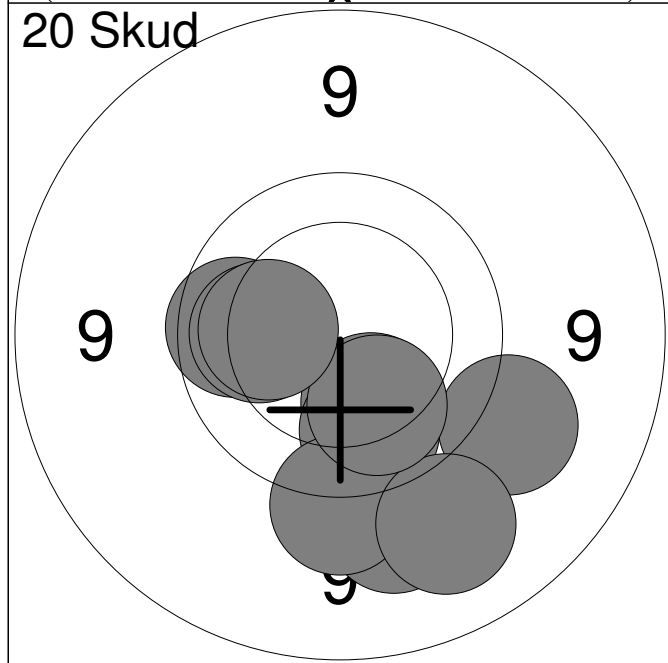
11:	10.6x	↖
12:	10.4	↓
13:	10.2	→
14:	10.9x	↗
15:	10.5	↗
16:	10.5x	↓
17:	10.3	↖
18:	10.3	←
19:	10.2	↓
20:	10.8x	↓
<b>Serie</b>		<b>100.0</b>
<b>Total</b>		<b>200.0</b>



1:	10.5x	↗
2:	9.2	↖
3:	10.0	↘
4:	10.7x	↗
5:	9.7	↘
6:	10.1	↖
7:	10.4	↘
8:	9.1	↘
9:	8.3	↘
10:	9.6	↘
<b>Serie</b>		<b>94.0</b>
<b>Total</b>		<b>0.0</b>

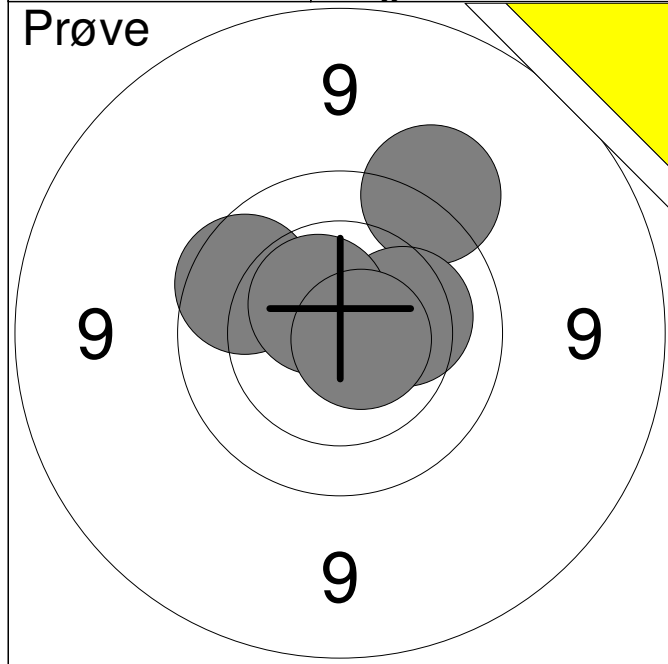


1:	9.9	↘
2:	10.1	↗
3:	9.9	→
4:	9.3	↘
5:	9.6	→
6:	10.1	→
7:	9.0	↖
8:	9.7	↘
9:	9.9	↘
10:	8.3	↘
<b>Serie</b>		<b>91.0</b>
<b>Total</b>		<b>91.0</b>



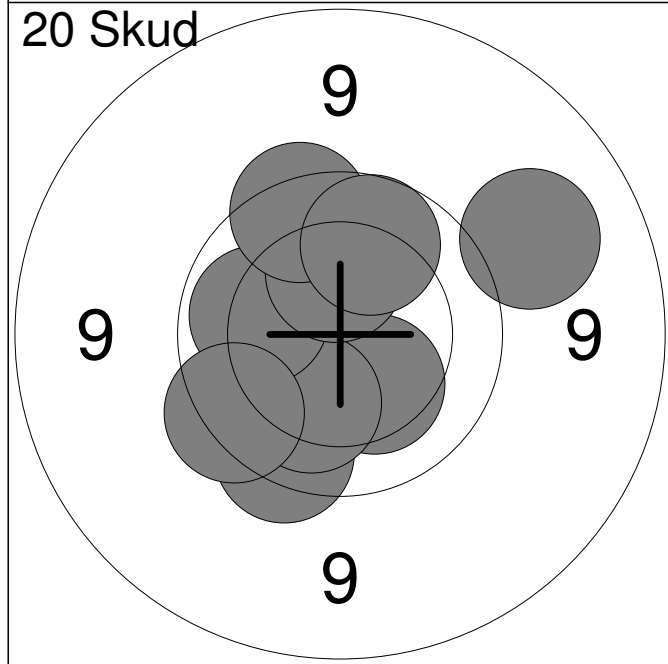
11:	10.1	↘
12:	9.3	↘
13:	9.3	↘
14:	9.9	↖
15:	9.9	↘
16:	9.5	↘
17:	9.2	↘
18:	10.1	↖
19:	10.1	↘
20:	10.2	↖
<b>Serie</b>		<b>94.0</b>
<b>Total</b>		<b>185.0</b>





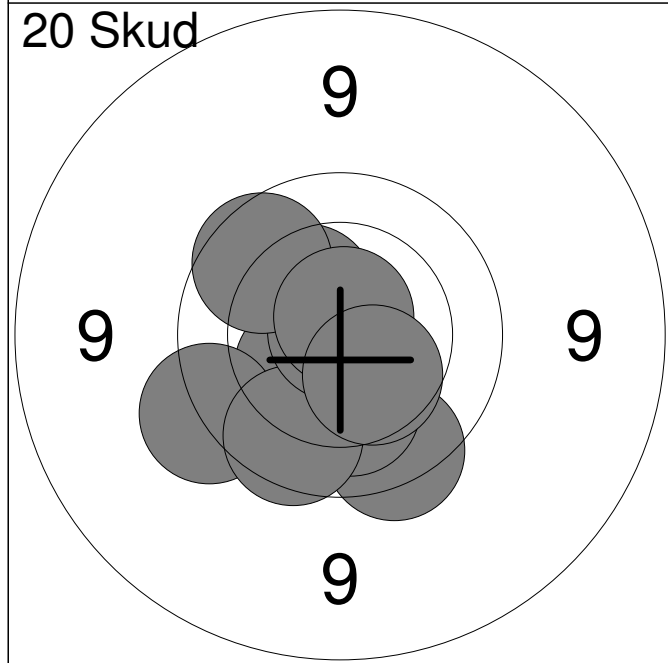
1:	9.5	↗
2:	10.3	→
3:	9.9	↗
4:	10.6x	↗
5:	10.7x	↘

Serie	48.0
Total	0.0



1:	9.2	↗
2:	9.7	↘
3:	10.3	↖
4:	10.3	↘
5:	10.1	↘
6:	10.1	↖
7:	10.3	↑
8:	9.7	↑
9:	9.9	↑
10:	9.7	↖

Serie	95.0
Total	95.0



11:	10.4	↗
12:	9.7	↘
13:	10.2	↘
14:	10.4	↖
15:	9.6	↖
16:	9.8	↘
17:	10.9x	↗
18:	9.9	↗
19:	10.7x	↑
20:	10.4	↘

Serie	96.0
Total	191.0

		Nordjysk Mesterskab 2016	Aalborg Skyttekreds		
Prøve	7		1:	9.9	↘
	8		2:	9.9	↘
	9		3:	10.6x	↗
	9		4:	10.4	↗
	8		5:	10.7x	↗
	7		6:	10.2	↖
	8		7:	10.0	↙
	9		8:	10.6x	↘
	8		9:	10.6x	↘
	7		Serie		88.0
		Total		0.0	
20 Skud	7		1:	10.8x	↙
	8		2:	10.1	↘
	9		3:	10.2	↘
	9		4:	10.4	↙
	8		5:	10.1	↘
	7		6:	10.2	↗
	8		7:	10.6x	↗
	9		8:	10.3	→
	8		9:	10.3	↙
	7		10:	10.7x	↖
		Serie		100.0	
		Total		100.0	
20 Skud	7		11:	10.4	↖
	8		12:	10.9x	↙
	9		13:	10.4	↙
	9		14:	10.4	↑
	8		15:	10.4	↗
	7		16:	10.1	↖
	8		17:	10.8x	↗
	9		18:	10.4	→
	8		19:	10.6x	↘
	7		20:	10.7x	↘
		Serie		100.0	
		Total		200.0	